

**Owner's Manual**  
**Instrukcja obsługi**  
**Návod k použití**  
**Návod na použitie**  
**Használati útmutató**



*Enjoy it.*



## IMPORTANT SAFETY INSTRUCTIONS



The marking plate is located at the bottom of the apparatus.

### Important Safety Instructions

#### Caution:

To reduce the risk of electric shock, do not remove cover (or back). No user serviceable parts inside. Refer servicing to qualified service personnel.

#### Explanation of Graphical Symbols:



The lightning flash within an equilateral triangle is intended to alert you to the presence of uninsulated dangerous voltage within the product's enclosure that may be of sufficient magnitude to constitute an electric shock to a person or persons.



The exclamation point within an equilateral triangle is intended to alert you to the presence of important operating and maintenance (servicing) instructions in the literature accompanying the product.

To achieve the utmost in enjoyment and performance, and in order to become familiar with its features, please read this manual carefully before attempting to operate this product. This will assure you years of trouble free performance and listening pleasure.

#### Important Notes

- This safety and operating instruction should be retained for future reference.
- The apparatus should not be exposed to dripping or splashing or placed in a humid atmosphere such as a bathroom.
- Do not install the product in the following areas:
  - Places exposed to direct sunlight or close to radiators.
  - On top of other stereo equipment that radiate too much heat.
  - Blocking ventilation or in a dusty area.
  - Areas where there is constant vibration.
  - Humid or moist places.
- Do not place near candles or other naked flames.
- Operate the product only as instructed in this manual.
- Before turning on the power for the first time, make sure the power adaptor is properly connected.
- Plug-in the USB stick directly or use an USB-extension cable which is not longer than 25 cm.

For safety reasons, do not remove any covers or attempt to gain access to the inside of the product. Refer any servicing to qualified personnel.

Do not attempt to remove any screws, or open the casing of the unit; there are no user serviceable parts inside. Refer all servicing to qualified service personnel.

## SAFETY INSTRUCTIONS

- 1. Read Instructions** - All the safety and operating instructions must be read before the product is operated.
- 2. Retain Instructions** - The safety and operating instructions should be kept with the product for future reference.
- 3. Heed warnings** - All warnings on the product and in the operating instructions should be adhered to.
- 4. Follow instructions** - All operating and users' instructions should be followed.
- 5. Installation** - Install in accordance with the manufacturer's instructions.
- 6. Power sources** - This product should be operated only from the type of power source indicated by the marking adjacent to the power cord entry. If you are not sure of the type of power supply to your home, consult your product dealer or local power company.
- 7. Grounding or polarization** - the product is not required to be grounded. Ensure that the plug is fully inserted into the wall outlet or extension cord receptacle to prevent blade or pin exposure. Some versions of the product are equipped with a power cord fitted with a polarized alternating line plug (a plug having one blade wider than the other). This plug will fit onto the power outlet only one way. This is a safety feature. If you are unable to insert the plug fully into the outlet, try reversing the plug. If the plug should still fail to fit, contact your electrician to replace your obsolete outlet. Do not defeat the safety purpose of the polarized plug. When using an extension power-supply cord or a power-supply cord other than that supplied with the appliance, it should be fitted with the appropriate molded plugs and carry safety approval appropriate to the country of use.
- 8. Power cord protection** - Power-supply cords should be routed so that they are not likely to be walked on, kinked or pinched by items placed on or against them, paying particular attention to cords from plugs, receptacles and the point where they exit from the product.
- 9. Overloading** - Do not overload wall outlets, extension cords, or multiple sockets, as this can result in a risk of fire or electric shock.
- 10. Ventilation** - The product must be properly ventilated. Do not place the product on a bed, sofa, or other similar surface. Do not cover the product with any items such as tablecloths, newspapers, etc.
- 11. Heat** - The product should be situated away from heat sources such as radiators, heat registers, stoves, or other products, including amplifiers that produce heat. No naked flame sources, such as lighted candles, should be placed on the apparatus.
- 12. Water and moisture** - To reduce the risk of fire or electric shock, do not expose the product to rain, dripping, splashing or excessive moisture such as in a sauna or bathroom. Do not use this product near water, for example, near a bathtub, washbowl, kitchen sink, laundry tub, in a wet basement or near a swimming pool (or similar).
- 13. Object and Liquid Entry** - Never push objects of any kind into this product through openings, as they may touch dangerous voltage points or short-circuit parts that could result in a fire or electric shock. Never spill liquid of any kind on the product. Do not place any object containing liquid on top of the product.
- 14. Cleaning** - Unplug the product from the wall outlet before cleaning. Dust in the woofer may be cleaned with a dry cloth. If you wish to use an aerosol cleaning spray, do not spray directly on the cabinet; spray onto the cloth. Be careful not to damage the drive units.
- 15. Attachments** - Do not use attachments not recommended by the product manufacturer, as they may cause hazards.
- 16. Accessories** - Do not place this product on an unstable cart, stand, tripod, bracket or table. The product may fall, causing serious injury to a child or adult, and serious damage to the product. Use only with a cart, stand, tripod, bracket or table recommended by the manufacturer or sold with the product. Any mounting of the product should follow the manufacturer's instructions and should use a mounting accessory recommended by the manufacturer.
- 17. Moving the product** - A product and cart combination should be moved with care. Quick stops, excessive force and uneven surfaces may cause the product and cart combination to overturn.
- 18. Unused periods** - The power cord of the appliance should be unplugged from the outlet during lightning storms or when the apparatus is left unused for a long period of time.
- 19. Servicing** - Do not attempt to service this product yourself, as opening or removing covers may expose you to dangerous voltage or other hazards. Refer all servicing to qualified service personnel.

20. Please remove the power plug from the main power source or wall power source when not in use. When plugged in to a power source, the system is in standby mode, so the power is not entirely cut off.
21. **Replacement parts** - When replacement parts are required, ensure that the service technician has used replacement parts specified by the manufacturer or have the same characteristics as the original part. Unauthorized substitutions may result in fire, electric shock or other hazards.
22. **Mains fuses** - For continued protection against fire hazard, use fuses only of the correct type and rating.
23. Do not turn up the volume while listening to a section with very low level inputs or no audio signals. If you do, the speaker may be damaged when a peak level section is suddenly played.
24. The only means of completely disconnecting the product from the power supply is by removing the power cord from the wall outlet or the product. The wall outlet or the power cord entry to the product must remain freely accessible at all times while the product is in use.
25. Try to install the product near a wall socket or extension cord and shall be easily accessible.
26. The highest environmental temperature suitable for this product is 35°C.
27. **ESD hints** - If the product maybe reset or not reset to operation of control due to electrostatic discharge, just switch off and reconnect again, or move the product to another location.
28. **Battery**
- 1). The batteries must not be exposed to excessive heat such as sunshine, fire or the like.
  - 2). The batteries should be drawn to the environmental aspects of battery disposal.
  - 3). Battery usage CAUTION-to prevent battery leakage which may result in body injuries, property damage, or damage to the apparatus:
    - Install all batteries correctly, + and – as marked on the apparatus.
    - Do not mix batteries (old and new or carbon and alkaline, etc.)
    - Remove batteries when the unit is not used for a long time.

### ERP2 (Energy Related Products) note

This product with ecodesign complies with the stage 2 requirements of Commission Regulation (EC) NO. 1275/2008 implementing Directive 2009/125/EC regard to standby and off mode electric power consumption of electronic household and office equipment. After 60 minutes without any audio input, the device will automatically switch into standby mode. Follow up the instruction manual to resume the operation.

### Important note:

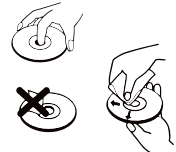
This device is equipped with an energy saving mode: if no signal is given during 60 minutes the device will switch automatically into standby mode in order to save energy (ERP 2 standard). Please note that low volume setting in the audio source may be recognized as “no audio signal”: this will affect the capability of signal detection from the device and can also originate an automatic switch into standby mode. If this happens please reactivate the audio signal transmission or increase the volume setting on the audio source player (MP3 player, etc.), in order to resume playback. Please contact the local service center if the problem remains.

### WARNING

This appliance is not intended for use by persons (including children) with reduced physical sensory or mental capabilities, or lack of experience and knowledge, unless they have been given supervision or instruction concerning use of the appliance by a person responsible for their safety. Children should be supervised to ensure that they do not play with the appliance.

1. Never use the device unsupervised! Switch off the device whenever you are not using it, even if this only for a short while.
2. The appliance is not intended to be operated by means of an external timer or separate remote control system.
3. If the supply cord is damaged, it must be replaced by the manufacturer, its service agent or similarly qualified persons in order to avoid a hazard.
4. Before operating this system, check the voltage of this system to see if it is identical to the voltage of your local power supply.

5. The unit should not be impeded by covering the ventilation opening with items such as newspaper, table-cloths, curtains etc. Make sure that there are at least 20 cm of space above and at least 5 cm of space on each side of the unit.
6. The apparatus must not be exposed to dripping or splashing and that objects filled with liquids, such as vases, must not be placed on the apparatus.
7. To prevent fire or shock hazard, do not expose this equipment to hot places, rain, moisture or dust.
8. Do not locate this unit near any water sources e.g. taps, bathtubs, washing machines or swimming pools. Ensure that you place the unit on a dry, stable surface.
9. Do not place this unit close to a strong magnetic field.
10. Do not place the unit on an amplifier or receiver.
11. Do not place this unit in a damp area as the moisture will affect the life of electric components.
12. If the system is brought directly from a cold to a warm location, or is placed in a very damp room, moisture may condense on the lens inside the player. If this occurs, the system will not operate properly. Please leave the system turned on for about an hour until the moisture evaporates.
13. Do not attempt to clean the unit with chemical solvents as this might damage the finish. Wipe with a clean, dry or slightly damp cloth. When removing the power plug from the wall outlet, always pull directly on the plug, never pull on the cord.
14. Depending on the electromagnetic waves used by a television broadcast, if a TV is turned on near this unit while it is also on, lines might appear on the TV screen.
15. Neither this unit nor the TV is malfunctioning. If you see such lines, keep this unit well away from the TV set.
16. The mains plug is used as the disconnect device, the disconnect device must remain readily operable.
17. To keep the laser pickup clean, do not touch it, and always close the disc tray.
18. During playback, the disc rotates at high speed. DO NOT lift or move the unit during playback, doing so may damage the disc or the unit.
19. When changing places of installation or packing the unit for moving, be sure to remove the disc and return the disc tray to its closed position in the player. Then, press switch to turn the power off and disconnect the power cord. Moving this unit with the disc loaded may result in damage to this unit.
20. Put discs back in their case after playing them. Never expose discs to direct sunlight or heat sources. Never leave discs inside a car parked in full sunlight.
21. Do not touch the playback side of disks. Hold discs by the edges to avoid leaving fingerprints on the surface. Any dust, fingerprints or scratches may cause a malfunction. Never attach a label or sticky tape to the disc.
22. Use a clean soft lint-free cloth to clean the disc, working from the center outwards in a straight line, thinners, commercially available cleaners or anti static sprays for vinyl discs.
23. To prevent possible hearing damage, do not listen at high volume levels for long periods.



## WARNING: DANGER OF RADIATION

CLASS 1 LASER PRODUCT  
 LUOKAN 1 LASERLAITE  
 KLASS 1 LASERAPPARAT

This label means that this unit contains a laser component. Opening the CD compartment lid and defeating the safety interlocks will expose the user to radiation from the laser beam. Do not stare into the laser while it is operating.

## BEFORE OPERATION

### Notes: Concerning compact discs.

Since dirty, damaged or warped discs may damage the appliance, care should be taken of the followings items:

- a. Usable compact discs. Use only compact disc with the mark shown below.



- b. CD compact disc only with digital audio signals.

## NOTICE



This product complies with the radio interference requirements of the European community.



Your product is designed and manufactured with high quality materials and components, which can be recycled and reused.



When this crossed-out wheeled bin symbol is attached to a product it means that the product is covered by the European Directive 2002/96/EC. Please inform yourself about the local separate collection system for electrical and electronic products. Please act according to your local rules and do not dispose of your old products with your normal household waste. Correct disposal of your old product helps to prevent potential negative consequences for the environment and human health.



Your product contains batteries covered by the European Directive 2006/66/EC, which cannot be disposed with normal household waste. Please inform yourself about the local rules on separate collection of batteries because correct disposal helps to prevent negative consequences for the environmental and human health.

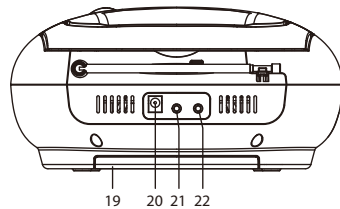
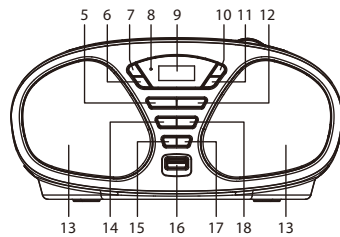
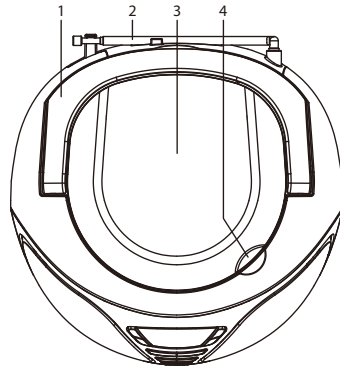
### Environmental information

All unnecessary packaging has been omitted. We have tried to make the packaging easy to separate into three materials: cardboard(box), polystyrene foam(buffer) and poly ethylene (bags, protective foam sheet). Your system consists of material which can be recycled and reused if disassembled by a specialized company. Please observe the local regulations regarding the disposal of packaging materials, exhausted batteries and old equipment.

Recording and playback of material might require consent. See Copyright Act 1956 and The Performer's Protection Acts 1958 to 1972.

## OVERVIEW OF THE PLAYER

1. FOLDING HANDLE
2. FM TELESCOPIC ANTENNA
3. CD DOOR
4. CD DOOR OPEN AREA
5. PROG/MEM/MODE BUTTON
6. SKIP/SEARCH DOWN BUTTON
7. SKIP/SEARCH UP BUTTON
8. STANDBY INDICATOR
9. LCD DISPLAY
10. PLAY/PAUSE/CH+ BUTTON
11. STOP/CH- BUTTON
12. FOLDER/10+ BUTTON
13. SPEAKERS
14. VOL - BUTTON
15. SOURCE BUTTON
16. USB PORT
17. ON/STANDBY BUTTON
18. VOL + BUTTON
19. BATTERY COMPARTMENT
20. DC IN JACK
21. PHONE JACK
22. AUX IN JACK



## POWER SUPPLY

### Battery Operation

1. Remove the battery compartment cover gently.
2. Install 6 x 'C' size batteries (UM-2 or equivalent) while observing the correct polarities.
3. Replace the battery compartment cover.

### NOTE:

- The AC/DC adapter must be detached from the DC IN jack of the player for battery operation.
- Leaking batteries may damage the battery cabinet and the player as a whole, so they should be removed from the cabinet when becoming flat or when the player is not to be played on batteries for some time.

### DC Input Operation

Plug the supplied adapter to the DC IN jack on the unit and the main power.

**NOTE:** If not any audio signal inputs to the unit in about one hour, the unit will enter to standby mode automatically (except at FM radio mode).



## FM RADIO

### Tuning The FM Radio

1. The standby indicator will light once connect the main unit to the main power. Press the ON/STANDBY button to turn the unit on (the standby indicator will be off).
2. Press the SOURCE button repeatedly to switch the unit to the FM radio mode.
3. To launch the auto-searching, press and hold the SKIP/SEARCH DOWN button or SKIP/SEARCH UP button several seconds and then release it.
4. Press the SKIP/SEARCH DOWN button or SKIP/SEARCH UP button to tune the radio stations manually.
5. Adjust the volume level to a comfortable listening level via pressing the VOL+/- buttons.
6. Press the ON/STANDBY button to turn off the unit.

### NOTE:

The FM TELESCOPIC ANTENNA is directional. When you are receiving an FM broadcast, fully extend the TELESCOPIC ANTENNA and rotate it for the best reception.

### Storing Your Favorite Radio Station

1. Tune to your favorite station first; press the PROG/MEM/MODE button for storing the current station until memory cell number flashes on the screen.
2. Use the STOP/CH- button or the PLAY/PAUSE/CH+ button to select the corresponding memory cell.
3. Confirm your selection by pressing the PROG/MEM/MODE button.
4. During radio playback, press the STOP/CH- button or the PLAY/PAUSE/CH+ button repeatedly to recall the preset stations.

## OPERATION

### Load a Disc

1. Open the CD door by the Door open area.
2. Load a disc on the disc tray with the label side facing up.
3. Close the CD door.

### Play a Disc (CD/MP3)

1. Press the ON/STANDBY button to turn the unit on (the standby indicator will be off).
2. Press the SOURCE button repeatedly to switch to CD mode.
3. Follow the steps above to load a disc.
4. The player begins reading disc immediately.
5. When the disc is successfully read, the playback will start from the first track automatically.
6. Press the PLAY/PAUSE/CH+ button once to halt music playback, press the button again to resume the normal playback; press the STOP/CH- button to cease music playback.

### External Memory Media Operation (USB)

1. Press the ON/STANDBY button to turn the unit on (the standby indicator will be off).
2. Insert an USB to the USB port.
3. Press the SOURCE button repeatedly to switch to USB mode.
4. When the inserted USB is detected and read, the first track will be played automatically.
5. Press the PLAY/PAUSE/CH+ button to pause or resume the playback.
6. Press the STOP/CH- button to cease the playback.

### Skip Tracks and Search for a Specific Point to Play (CD/MP3/USB)

1. Press once the SKIP/SEARCH UP button in music play to skip to the next track; press once the SKIP/SEARCH DOWN button in music play to go back to beginning of the current track, press the button twice continuously to skip to the previous track.
2. Press and hold the SKIP/SEARCH UP button or the SKIP/SEARCH DOWN button in music play to search at quick rate for a specific point to play.
3. Press the FOLDER/10+ button once in play to skip to the track 10 tracks ahead, twice to skip to the track 20 tracks ahead. You can reach the last track of the disc using this button.

**Skip to the Previous/Next Folder (MP3/USB)**

1. During playback, press and hold the FOLDER/10+ button until the folder number flashes on the screen.
2. Press the SKIP/SEARCH DOWN button or SKIP/SEARCH UP button to select the folder you want.
3. Once the selected folder number shows on the screen, press the FOLDER/10+ button to confirm.

**Repeat Playback (CD/MP3/USB)**

During playback, press the PROG/MEM/MODE button to repeat play a single track; press the button twice to repeat play all tracks; press the button three times to enter the introduction play mode; press the button four times to enter the random play mode; press the button five times to exit.

**Programmed Play (CD/MP3 DISC/USB)**

1. At stop mode, press the PROG/MEM/MODE button once, the program's icon shows with a program sequence indication "P01" first, then a track number flickers on the LCD with the program's icon.
2. Select the first track to be programmed using the SKIP/SEARCH UP button or the SKIP/SEARCH DOWN button, and then press the PROG/MEM/MODE button again to store and advance to the next programming step (If there are several folders on the MP3 disc or USB, it is necessary to program folders first and then the tracks. The method of the folders programming is the same as the tracks programming.).
3. Repeat the above steps to program more tracks. A maximum of 20 tracks for CD and 99 tracks for MP3 disc/USB can be programmed in memory in a preferred order. If the memory is full, the screen will show "FUL" for indicating.
4. Press the PLAY/PAUSE/CH+ button to begin programmed play in the preferred order after you are done with programming. The player stops automatically after all programmed tracks are played.
5. You may press the STOP/CH- button to terminate programmed playback. In program stop mode, press the PLAY/PAUSE/CH+ button to begin the programmed playback with the programming order identical with the previous one done; press the STOP/CH- button again to clear the programming.

**AUX IN**

1. Connect the Aux in jack on the unit to an audio source, for example, MP3 player with an audio cable.
2. Power on the unit following the corresponding instructions.
3. Press the SOURCE button repeatedly to switch to AUX mode.
4. Use the native controls on the connected audio device to begin playing music through the connected unit.

**STEREO PHONE JACK**

A stereo phone jack has been provided on the back side of the player so that you can listen without disturbing others. To use this jack, plug in the headphones/earphones (NOT INCLUDED) and adjust the volume level to a preferred level.

**NOTE:** When external headphones/earphones are connected, the speakers will be muted.

**CAUTION:** Listening at high power for a long moment could damage users' ears.

**SPECIFICATIONS**

**Output power:** 1.2 Watt x 2 @10%THD

**PLL FM radio:** 87.5~108 MHz

**USB:** USB 2.0 version

**Standby power consumption:** <0.5 Watt

**Power supply:** DC 9V/1A

**Battery power supply:** UM2 x 6 ( Not include).

## WAŻNE INSTRUKCJE DOTYCZĄCE BEZPIECZEŃSTWA



Tabliczka znamionowa znajduje się na spodzie urządzenia.

### Ważne instrukcje dotyczące bezpieczeństwa

#### Przeostroga:

Aby zmniejszyć ryzyko porażenia prądem, nie wolno demontować pokrywy ani tylnej części urządzenia. Wewnątrz urządzenia nie znajdują się elementy przeznaczone do samodzielnej naprawy przez użytkownika. Konserwacją i naprawą sprzętu zajmują się wyłącznie wykwalifikowani pracownicy serwisu.

### Objaśnienie symboli graficznych:



Symbol błyskawicy zakończonej strzałką umieszczonej w trójkącie równobocznym ostrzega użytkownika przed nieizolowanym „niebezpiecznym napięciem” w obrębie obudowy urządzenia, które może osiągnąć wielkość grożącą porażeniem prądem elektrycznym.



Znak wykrzyknika w trójkącie równobocznym ostrzega użytkownika, że w tym momencie przedstawione są ważne informacje dotyczące obsługi i konserwacji sprzętu w dokumentacji, dołączonej do urządzenia.

Prosimy o przeczytanie tej instrukcji przed przystąpieniem do obsługi urządzenia, aby zapoznać się z jego funkcjami i wykorzystać je zgodnie z przeznaczeniem. Zapewni to długotrwałą, bezawaryjną obsługę urządzenia i przyjemność z użytkowania.

### Ważne informacje

- Należy zachować instrukcję obsługi oraz informacje dotyczące bezpieczeństwa w celu wykorzystania ich w przyszłości.
- Nie należy dopuszczać do tego, aby na urządzenie kapala lub wylewała się ciecz. Nie wolno też używać go w wilgotnych miejscach, jak np. łazienka.
- Nie wolno instalować tego urządzenia w następujących miejscach:
- Wystawionych na bezpośrednie działanie promieni słonecznych lub w pobliżu grzejników.
- Kładź go na wierzchu innego sprzętu stereofonicznego który wydziela ciepło.
- Blokując wentylację lub w zapyłonym miejscu.
- W miejscach narażonych na ciągłe drgania.
- W miejscach o wysokiej wilgotności.
- Nie wolno stawiać urządzenia w pobliżu świec lub otwartego ognia.
- Urządzenia można używać wyłącznie w sposób opisany w niniejszej instrukcji.
- Przed pierwszym włączeniem zasilania należy upewnić się, że zasilacz został prawidłowo podłączony.
- Pamięć USB podłącza się bezpośrednio lub przy użyciu przedłużacza USB o długości do 25 cm.

Ze względów bezpieczeństwa nie należy demontować obudów ani uzyskiwać dostępu do wnętrza urządzenia. Urządzenie powinno być naprawiane przez wykwalifikowany personel serwisu. Nie wolno rozkręcać urządzenia ani otwierać jego obudowy, gdyż wewnątrz nie ma żadnych części, które mogłyby być naprawiane przez użytkownika. Konserwacją i naprawą sprzętu zajmują się wyłącznie wykwalifikowani pracownicy serwisu.

## INSTRUKCJE DOTYCZĄCE BEZPIECZEŃSTWA

1. **Przeczytać instrukcje** – przed korzystaniem z urządzenia należy przeczytać całość instrukcji obsługi oraz informacje o bezpieczeństwie.
2. **Zachować instrukcje** – należy zachować instrukcje użytkowania i obsługi w celu wykorzystania ich w przyszłości.

3. **Przestrzegać ostrzeżeń** – należy postępować zgodnie z wszystkimi ostrzeżeniami zamieszczonymi na urządzeniu oraz zgodnie z instrukcją obsługi.
4. **Przestrzegać instrukcji** – należy postępować zgodnie z instrukcją obsługi oraz wskazówkami dla użytkownika.
5. **Instalacja** – należy ustawić urządzenie zgodnie z instrukcjami producenta.
6. **Źródła zasilania** – urządzenie powinno być zasilane wyłącznie ze źródeł o parametrach podanych na oznaczeniach na kablu zasilania. Jeżeli użytkownik nie jest pewien, jakiego rodzaju zasilaniem dysponuje w domu, powinien skontaktować się ze sprzedawcą urządzenia lub lokalnym dostawcą energii elektrycznej.
7. **Uziemienie lub polaryzacja zasilania** – urządzenie nie musi być uziemione. Należy upewnić się, że wtyczka jest do końca włożona do gniazdka sieciowego lub przedłużacza, aby nie dopuścić do odsłonięcia bolców lub styków. Niektóre wersje urządzenia mogą być wyposażone w spolaryzowaną wtyczkę prądu przemiennego (z jednym bolcem szerszym). Tę wtyczkę można włożyć do gniazdka sieciowego tylko w jeden sposób. Jest to funkcja zabezpieczająca. Jeśli nie można włożyć wtyczki do gniazda, należy spróbować ją odwrócić. Jeśli wtyczka nadal nie pasuje do gniazda, należy zlecić elektrykowi jego wymianę. Nie wolno zdejmować zabezpieczeń z wtyczki spolaryzowanej. Gdy korzysta się z przedłużacza lub kabla zasilania innego niż dostarczony razem z urządzeniem, powinny mieć właściwe wtyczki oraz atest bezpieczeństwa wymagany w danym kraju.
8. **Zabezpieczenie kabla zasilania** – kable zasilania należy poprowadzić w taki sposób, aby nie można było po nich chodzić, przycisnąć lub przyciąć postawionymi przedmiotami. Zwrócić szczególną uwagę na wtyczki, gniazdka sieciowe i miejsca, w którym kable są wyprowadzone z urządzenia.
9. **Przeciążenie** – nie wolno przeciążać gniazdek ściennych, przedłużaczy i rozdzielaczy elektrycznych, ponieważ grozi to wybuchem pożaru lub porażeniem prądem elektrycznym.
10. **Wentylacja** – urządzenie musi być poprawnie wentylowane. Nie wolno ustawiać urządzenia na łóżku, sofie lub podobnych powierzchniach. Nie wolno przykrywać urządzenia obrusami, serwetkami, gazetami itd.
11. **Ciepło** – nie ustawiać urządzenia w pobliżu źródeł ciepła, takich jak grzejniki, promienniki, piece lub innych urządzeń (również wzmacniacze) wytwarzających ciepło. Nie stawiać na urządzeniu zapalonych świec i innych źródeł otwartego ognia.
12. **Woda i wilgoć** – aby zmniejszyć zagrożenie pożarem lub porażeniem elektrycznym, nie wolno narażać urządzenia na bezpośrednie działanie deszczu, wody i wilgoci, jak np. w saunie czy w łazience. Nie używać niniejszego urządzenia w pobliżu wody, na przykład obok wanny, umywalki, zlewu kuchennego lub balii, w wilgotnej piwnicy lub w pobliżu basenu (lub w podobnych miejscach).
13. **Przedmioty i ciecz w urządzeniu** – nie należy wciskać jakichkolwiek przedmiotów przez otwory urządzenia, ponieważ mogą one zetknąć się z punktami niebezpiecznego napięcia i podzespołami, co może wywołać pożar lub porażenie prądem. Pod żadnym pozorem nie należy rozlewać jakichkolwiek cieczy na powierzchni urządzenia. Nie wolno kłaść na wierzchu urządzenia przedmiotów zawierających ciecz.
14. **Czyszczenie** – należy zawsze odłączyć urządzenie od gniazdka sieciowego przed czyszczeniem. Kurz dookoła głośnika można usunąć suchą szmatką. Jeśli do czyszczenia ma być użyty aerozol, nie należy kierować rozpylanego strumienia bezpośrednio na urządzenie, ale na szmatkę. Należy uważać, aby nie uszkodzić jednostek napędowych.
15. **Wyposażenie dodatkowe** – nie wolno używać akcesoriów, które nie są dopuszczone przez producenta, gdyż mogą stwarzać zagrożenie.
16. **Akcesoria** – nie wolno ustawiać urządzenia na niestabilnym wózku, stojaku, statywie, wsporniku czy stole. Urządzenie może ulec przewróceniu i uszkodzeniu oraz spowodować poważne obrażenia u dziecka lub osoby dorosłej. Należy używać wyłącznie wózków, stojaków, statywów, wsporników i stołów określonych przez producenta albo sprzedawanych wraz z urządzeniem. Montaż urządzenia należy przeprowadzać zgodnie z instrukcjami producenta, przy użyciu zestawu montażowego zalecanego przez producenta.
17. **Przenoszenie urządzenia** – urządzenie umieszczone na wózku należy przesuwać bardzo ostrożnie. Gwałtowne zatrzymanie, zbyt duża siła lub nierówne powierzchnie mogą spowodować przewrócenie wózka wraz z urządzeniem.

- 18. Okres nieużywania urządzenia** – kabel zasilania urządzenia należy odłączyć od gniazdka sieciowego w trakcie burz z wyładowaniami atmosferycznymi lub gdy urządzenie nie będzie używane przez dłuższy czas.
- 19. Serwisowanie** – nie należy próbować własnoręcznego przeglądania urządzenia. Otwieranie pokrywy może spowodować kontakt z niebezpiecznym napięciem i narazić użytkownika na inne niebezpieczeństwa. Konserwacją i naprawą sprzętu zajmują się wyłącznie wykwalifikowani pracownicy serwisu.
- 20.** Gdy urządzenie nie jest używane, należy odłączyć jego wtyczkę zasilania od gniazdka sieciowego. Gdy urządzenie jest podłączone do źródła zasilania, znajduje się w trybie czuwania i nie jest całkowicie wyłączone.
- 21. Części zamienne** – przy wymianie części należy sprawdzić, czy pracownik serwisu użył części zamiennych zalecanych przez producenta lub też czy części są identyczne jak część oryginalna. Dokonywanie wymiany na niezatwierdzone części grozi wybuchem pożaru, porażeniem prądem elektrycznym lub innymi niebezpieczeństwami.
- 22. Główne bezpieczniki** – aby zabezpieczyć w sposób ciągły urządzenie przed pożarem, należy używać bezpieczników właściwego typu i parametrów.
- 23.** Nie wolno zwiększać głośności przy słuchaniu części utworu o małej głośności lub przy braku wejściowego sygnału audio. W innym wypadku może dojść do uszkodzenia głośnika przy gwałtownym wzroście natężenia sygnału.
- 24.** Jedynym sposobem całkowitego odłączenia urządzenia od źródła zasilania jest odłączenie kabla zasilania z gniazdka zasilania lub z urządzenia. Gniazdko sieciowe lub wejście kabla zasilania do urządzenia muszą być zawsze dostępne w trakcie używania produktu.
- 25.** Urządzenie powinno się ustawić w pobliżu gniazdka sieciowego lub przedłużacza i w taki sposób, aby zawsze było dostępne.
- 26.** Maksymalna temperatura otoczenia urządzenia wynosi 35°C.
- 27. Wskazówki dotyczące wyładowań elektrostatycznych** – jeśli działanie urządzenia jest zakłócone wyładowaniami elektrostatycznymi, należy go wyłączyć i ponownie włączyć lub przenieść urządzenie w inne miejsce.
- 28. Bateria**
- Baterie nie mogą być narażone na działanie nadmiernego ciepła, jak np. promieni słonecznych, ognia itp.
  - Podczas użycia baterii należy zwrócić uwagę na aspekty ochrony środowiska.
  - Przeostrożność dotycząca używania baterii: aby nie dopuścić do rozszczelnienia baterii, które może spowodować obrażenia ciała bądź uszkodzenie urządzenia:
    - Podczas wkładania baterii zwrócić uwagę na jej polaryzację (+ | -).
    - Nie wolno jednocześnie używać różnych baterii — starych i nowych baterii standardowych i alkalicznych itd.
    - Należy wyjąć baterie z urządzenia, gdy nie będzie ono używane przez dłuższy czas.

### Uwaga dotycząca ERP2 (urządzeń związanych z energią)

Niniejsze urządzenie z ekoprojektem spełnia wymagania etapu 2 Rozporządzenia Komisji (WE) nr 1275/2008 wprowadzającego dyrektywę 2009/125/WE dotyczącą poboru energii przez wyłączone i znajdujące się w trybie czuwania urządzenia elektroniczne do zastosowań biurowych i domowych.

Po upływie 60 minut bez wejściowego sygnału audio urządzenie automatycznie przejdzie w tryb czuwania. Informacje na temat przywrócenia normalnego działania można znaleźć w instrukcji obsługi.

### Ważne informacje:

Niniejsze urządzenie jest wyposażone w funkcję trybu oszczędzania energii: jeśli w ciągu 60 minut nie jest podawany do niego żaden sygnał wejściowy, urządzenie automatycznie przejdzie w tryb czuwania w celu oszczędzania energii (norma ERP 2). Należy zauważyć, że ustawienie niskiego poziomu głośności w źródle sygnału audio może zostać rozpoznane jako stan „braku sygnału audio”: może to mieć wpływ na zdolność wykrywania sygnału z urządzenia oraz spowodować automatycznie przejście w tryb czuwania. W takim wypadku należy przywrócić transmisję sygnału audio lub zwiększyć poziom głośności w źródle sygnału audio (odtwarzacz MP3 itp.) w celu wznowienia odtwarzania. Jeśli problem nie ustąpi, prosimy o kontakt z lokalnym serwisem.

## OSTRZEŻENIE

Urządzenie nie powinno być używane przez osoby (w tym dzieci) o obniżonej sprawności fizycznej, sensorycznej lub umysłowej oraz osoby z niewystarczającą wiedzą i doświadczeniem, jeśli nie znajdują się one pod nadzorem osoby odpowiedzialnej za ich bezpieczeństwo i nie zostały poinstruowane jak bezpiecznie używać urządzenia. Obecność osób dorosłych jest wymagana, jeśli urządzenie obsługują dzieci; pozwoli to zapewnić bezpieczne korzystanie z urządzenia.

1. Nie wolno pozostawić pracującego urządzenia bez nadzoru! Należy wyłączać urządzenie, gdy nie jest ono używane, nawet przez krótką chwilę.
2. Urządzenia nie wolno obsługiwać za pośrednictwem zewnętrznego zegara z układem czasowym ani za pomocą oddzielnego układu ze zdalnym sterowaniem.
3. Aby uniknąć zagrożenia w przypadku uszkodzenia przewodu zasilania, wymianę powinien wykonać producent, autoryzowany punkt serwisowy lub inna osoba posiadająca odpowiednie kwalifikacje.
4. Przed przystąpieniem do obsługi urządzenia należy sprawdzić, czy jego napięcie odpowiada napięciu występującemu w lokalnej sieci zasilającej.
5. Nie wolno zakrywać otworów wentylacyjnych urządzenia np. gazetami, obrusem, zasłonami itp. Należy upewnić się, że nad urządzeniem jest co najmniej 20 cm wolnego miejsca, a z każdej jego strony — co najmniej 5 cm.
6. Nie należy dopuszczać do tego, aby na urządzenie kapala lub wylewała się ciecz, ani nie należy stawiać na nim przedmiotów wypełnionych cieczami, takich jak wazon.
7. Aby uniknąć pożaru lub porażenia prądem elektrycznym, należy chronić urządzenie przed gorącymi miejscami, działaniem deszczu, wilgoci i pyłu.
8. Nie wolno ustawiać urządzenia w pobliżu jakichkolwiek źródeł wody, np. kranów, wanien, pralek lub basenów pływackich. Urządzenie należy ustawić na równym i stabilnym podłożu.
9. Nie wolno narażać urządzenia na silne pole magnetyczne.
10. Nie wolno stawiać urządzenia bezpośrednio na wzmacniaczu lub amplitunerze.
11. Nie wolno stawiać urządzenia w wilgotnym miejscu, gdyż wilgoć ma szkodliwy wpływ na podzespoły elektryczne.
12. Nie wniesieniu urządzenia z zimnego do ciepłego miejsca lub do wilgotnego miejsca może dojść do kondensacji wilgoci na soczewce wewnątrz odtwarzacza. W takiej sytuacji urządzenie nie będzie działać prawidłowo. Należy pozostawić włączone urządzenie na około jedną godzinę, aby umożliwić odparowanie wilgoci.
13. Nie wolno czyścić urządzenia rozpuszczalnikami chemicznymi, gdyż mogą one zniszczyć lakier obudowy. Urządzenie wyciera się czystą, suchą lub nieznacznie zwilżoną ściereczką.
14. Podczas wyciągania wtyczki z gniazdka ściennego należy zawsze ciągnąć za wtyczkę, nigdy za kabel zasilania.
15. Gdy włączone urządzenie jest używane w pobliżu włączonego telewizora, może to być źródłem zakłóceń obrazu w postaci linii na ekranie. Zależy to od pasma fal transmisji TV. Nie oznacza to nieprawidłowego działania urządzenia ani telewizora. Jeśli są widoczne takie linie, należy odsunąć urządzenie od telewizora.
16. Wtyczka sieciowa jest używana do odłączania napięcia zasilającego i powinna być zawsze dostępna.
17. Aby zachować głowicę laserową do odczytu płyt CD w czystości, nie wolno jej dotykać i zawsze zamykać kieszeń na płyty.
18. W trakcie odtwarzania płyta obraca się z dużą prędkością. **NIE WOLNO** podnosić ani przesuwając urządzenia podczas odtwarzania, gdyż może to być przyczyną uszkodzenia płyty lub samego urządzenia.
19. Przed przeniesieniem urządzenia w inne miejsce lub na czas przeprowadzki należy wyjąć płytę i zamknąć kieszeń na płyty. Następnie należy wyłączyć zasilanie i odłączyć kabel zasilania. Przenieszenie urządzenia z płytą w kieszeni może być przyczyną jego uszkodzenia.
20. Po odtworzeniu płyty należy umieścić w opakowaniu. Nie wolno wystawiać płyt na bezpośrednie działanie promieni słonecznych i źródła ciepła. Nie wolno zostawiać płyt wewnątrz samochodu zaparkowanego w pełnym słońcu.
21. Nie wolno dotykać strony płyt bez etykiety. Trzymać płyty za krawędź, aby nie pozostawić odcisków palców. Pył, odciski palców lub zadrapania płyt mogą być przyczyną niepoprawnego działania odtwarzacza. Nie wolno naklejać karteczek lub taśmy samoprzylepnej na płytę.



22. Do czyszczenia płyty używa się czystej, niepozostawiającej kłaczek ściereczki. Zaczyna się czyszczenie ruchem prostoliniowym od środka płyty do jej krawędzi, używając do tego celu powszechnie dostępnych środków czyszczących lub środków antystatycznych do płyt winylowych.
23. Aby nie dopuścić do ewentualnej utraty słuchu, nie wolno słuchać głośno muzyki przez dłuższy czas.



## OSTRZEŻENIE: ŹRÓDŁO PROMIENIOWANIA

CLASS 1 LASER PRODUCT  
LUOKAN 1 LASERLAITE  
KLASS 1 LASERAPPARAT

Ta etykieta oznacza, że wewnątrz urządzenia znajdują się podzespoły laserowe. Otwarcie pokrywy kieszeni na płyty CD i pominięcie blokad zabezpieczających naraża użytkownika na działanie promieniowania laserowego. Nie wolno patrzeć się na wiązkę lasera podczas pracy urządzenia.

## PRZED ROZPOCZĘCIEM PRACY

### Uwagi: dotyczące płyt kompaktowych.

Ponieważ zabrudzone, uszkodzone lub odkształcone płyty mogą być przyczyną uszkodzenia urządzenia, należy zwrócić uwagę na następujące elementy:

- a. Płyty kompaktowe, których można używać. Można używać tylko wskazanych poniżej płyt.



- b. Płyty CD wyłącznie z cyfrowym dźwiękiem audio.

## UWAGA



Niniejsze urządzenie spełnia wymagania dyrektyw europejskich dotyczących zakłóceń radiowych.



Produkt został wyprodukowany z wysokiej jakości materiałów i podzespołów, które można poddać recyklingowi i ponownie użyć.



Jeśli na urządzeniu znajduje się znak przekreślonego kosza na śmieci, oznacza to, że produkt jest objęty postanowieniami dyrektywy europejskiej 2002/96/WE. Należy zapoznać się z wymaganiami dotyczącymi lokalnego systemu zbiórki odpadów elektrycznych i elektronicznych. Należy postępować zgodnie z lokalnymi przepisami. Nie wolno wyrzucać tego produktu razem ze zwykłymi odpadami domowymi. Prawidłowe usunięcie starego produktu zapobiegnie potencjalnym negatywnym skutkom dla środowiska naturalnego i zdrowia ludzkiego.



Urządzenie jest wyposażone w baterie objęte dyrektywą europejską 2006/66/WE. Baterii nie wolno wyrzucać razem z odpadami gospodarstwa domowego. Należy zapoznać się z lokalnymi przepisami dotyczącymi oddzielnej zbiórki baterii, ponieważ prawidłowa utylizacja zapobiegnie potencjalnym negatywnym skutkom dla środowiska naturalnego i zdrowia ludzkiego.

### Informacje o ochronie środowiska naturalnego

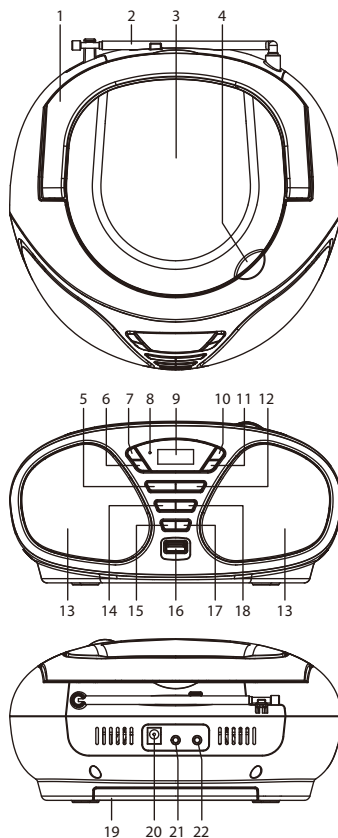
Opakowanie zawiera tylko niezbędne elementy. Dołożono wszelkich starań, aby trzy materiały składowe opakowania były łatwe do oddzielenia: karton (pudełko), pianka polistyrenowa (zabezpieczenia wewnątrz) i polietylen (torebki, arkusz ochronny). Urządzenie wyprodukowano z materiałów, które można poddać recyklingowi i użyć ponownie po ich demontażu przez wyspecjalizowaną firmę. Należy przestrzegać lokalnych przepisów dotyczących utylizacji materiałów opakowaniowych, zużytych baterii i niepotrzebnych urządzeń.

Nagrywanie i odtwarzanie materiałów może wymagać uzyskania zgody. Patrz ustawa o prawach autorskich i prawach wykonawców/artystów.

## PRZEGLĄD ODTWARZACZA

### FUNKCJE ELEMENTÓW STEROWANIA

1. Składany uchwyt
2. Antena teleskopowa FM
3. Drzwiczki kieszeni CD
4. Otwieranie drzwiczek kieszeni CD
5. Przycisk PROG/MEM/MODE
6. Przycisk przejścia do poprzedniego utworu/przewijania do tyłu
7. Przycisk przejścia do następnego utworu/przewijania do przodu
8. Wskaźnik trybu czuwania
9. Wyświetlacz LCD
10. Przycisk odtwarzania/pauzy/CH+
11. Przycisk zatrzymania/CH-
12. Przycisk FOLDER/10+
13. Głośniki
14. Przycisk VOL-
15. Przycisk SOURCE
16. Port USB
17. Przycisk włączenia/trybu czuwania
18. Przycisk VOL+
19. Komora baterii
20. Gniazdo zasilania DC
21. Gniazdo do podłączenia słuchawek
22. Gniazdo AUX IN





## ZASILANIE

### Zasilanie z baterii

1. Zdejmij ostrożnie pokrywę komory baterii.
2. Włóż 6 baterii „C” (UM-2 lub odpowiedniki), zachowując właściwą polaryzację.
3. Załóż pokrywę komory baterii.

### UWAGA:

Należy odłączyć zasilacz sieciowy od wejścia zasilania DC IN urządzenia, aby umożliwić jego zasilanie z baterii.

Rozszczelnione baterie mogą uszkodzić komorę baterii i cały odtwarzacz. Dlatego też należy wyjąć baterie z komory, gdy są rozładowane lub gdy urządzenie nie będzie używane przez dłuższy czas.

### Zasilanie sieciowe

Podłącz dostarczony zasilacz do gniazda DC IN i do gniazda zasilania sieciowego.

**UWAGA:** jeśli do urządzenia przez ponad godzinę nie będzie podawany żaden sygnał audio, przełączy się ono automatycznie w tryb czuwania (nie dotyczy trybu radia FM).

## RADIO FM

### Strojenie stacji radiowych FM

1. Wskaźnik włączy się po podłączeniu urządzenia do zasilania sieciowego. Naciśnij przycisk włączenia/trybu czuwania, aby włączyć urządzenie (wskaźnik trybu czuwania zgaśnie).
2. Naciskaj kolejno przycisk SOURCE, aby przejść do trybu radia FM.
3. Aby uruchomić automatyczne wyszukiwanie stacji, naciśnij i przytrzymaj przez kilka sekund przycisk przejścia do poprzedniego utworu/przewijania do tyłu lub przycisk przejścia do następnego utworu/przewijania do przodu, a następnie puść go.
4. Naciśnij przycisk przejścia do poprzedniego utworu/przewijania do tyłu lub przycisk przejścia do następnego utworu/przewijania do przodu, aby ręcznie dostroić się do stacji radiowych.
5. Ustaw komfortowy poziom głośności, naciskając przyciski VOL+/-.
6. Naciśnij przycisk włączenia/trybu czuwania, aby wyłączyć zasilanie.

### UWAGA:

Teleskopowa antena FM jest kierunkowa. W trakcie odbioru audycji radiowych FM należy ją całkowicie wysunąć i obracać w celu uzyskania najlepszego odbioru.

Programowanie ulubionych stacji radiowych

1. Dostroj się najpierw do ulubionej stacji radiowej; następnie naciskaj przycisk PROG/MEM/MODE w celu zapisania bieżącej stacji aż na wyświetlaczu LCD zacznie migać numer miejsca w pamięci.
2. Wybierz numer miejsca w pamięci przyciskiem zatrzymania/CH- lub przyciskiem odtwarzania/pauzy/CH+.
3. Potwierdź wybór przyciskiem PROG/MEM/MODE.
4. W trakcie słuchania radia naciśnij przycisk zatrzymania/CH- lub przycisk odtwarzania/pauzy/CH+, aby wybrać zapisane stacje.

## OBSŁUGA

### Ładowanie płyty

1. Otwórz drzwiczki kieszeni CD, trzymając za otwarcie.
2. Włóż płytę do kieszeni (etykieta do góry).
3. Zamknij pokrywę kieszeni płyt.

### Odtwarzanie płyty (CD/MP3)

1. Naciśnij przycisk włączenia/trybu czuwania, aby włączyć urządzenie (wskaźnik trybu czuwania zgaśnie).
2. Naciśnij kolejno przycisk SOURCE, aby włączyć tryb CD.

3. Wykonaj opisane powyżej czynności, aby załadować płytę.
4. Odtwarzacz rozpocznie odczyt płyty.
5. Po pomyślnym odczytaniu płyty odtwarzanie rozpocznie się automatycznie od pierwszej ścieżki.
6. Naciśnij jeden raz przycisk odtwarzania/pauzy/CH+, aby wstrzymać odtwarzanie; naciśnij przycisk ponownie, aby wznowić normalne odtwarzanie; naciśnij przycisk zatrzymania/CH-, aby zatrzymać odtwarzanie.

#### **Obsługa zewnętrznego urządzenia pamięci (USB)**

1. Naciśnij przycisk włączenia/trybu czuwania, aby włączyć urządzenie (wskaźnik trybu czuwania zgaśnie).
2. Podłącz urządzenie USB do portu USB.
3. Naciśnij kolejno przycisk SOURCE, aby włączyć tryb USB.
4. Po wykryciu i odczytaniu zawartości podłączonego urządzenia USB odtwarzanie rozpocznie się automatycznie od pierwszej ścieżki.
5. Naciśnij przycisk odtwarzania/pauzy/CH+, aby wstrzymać lub wznowić odtwarzanie.
6. Naciśnij przycisk zatrzymania/CH-, aby zatrzymać odtwarzanie.

#### **Przeskakiwanie ścieżek i wyszukiwanie określonego miejsca do odtwarzania (CD/MP3/USB)**

1. Naciśnij jeden raz przycisk przejścia do następnego utworu/przewijania do przodu, aby przejść do następnego utworu. Naciśnij jeden raz przycisk przejścia do poprzedniego utworu/przewijania do tyłu, aby przejść do początku bieżącego utworu; naciśnij ten przycisk dwukrotnie, aby przejść do poprzedniego utworu.
2. Naciśnij i przytrzymaj przycisk przejścia do następnego/poprzedniego utworu/przewijania do przodu/tyłu, aby szybko przejść do określonego miejsca w utworze.
3. Naciśnij podczas odtwarzania jeden raz przycisk FOLDER/10+, aby przejść o 10 ścieżek do przodu, a dwukrotnie, aby przejść o 20 ścieżek do przodu. Przy użyciu tego przycisku można przejść do ostatniej ścieżki na płycie.

#### **Przejdź do poprzedniego/następnego folderu (MP3/USB)**

1. W trakcie odtwarzania naciśnij i przytrzymaj przycisk FOLDER/10+ do momentu, w którym numer folderu zacznie migać na wyświetlaczu.
2. Naciśnij przycisk przejścia do poprzedniego utworu/przewijania do tyłu lub przycisk przejścia do następnego utworu/przewijania do przodu, aby wybrać żądany folder.
3. Po wyświetleniu numeru folderu na wyświetlaczu naciśnij przycisk FOLDER/10+ w celu potwierdzenia.

#### **Odtwarzanie z powtarzaniem (CD/MP3/USB)**

W trakcie odtwarzania naciśnij przycisk PROG/MEM/MODE, aby powtarzać odtwarzanie jednej ścieżki; naciśnij przycisk dwukrotnie, aby powtarzać odtwarzanie wszystkich ścieżek; naciśnij przycisk trzykrotnie, aby rozpocząć odtwarzanie początków ścieżek; naciśnij przycisk czterokrotnie, aby włączyć tryb odtwarzania losowego; naciśnij przycisk pięciokrotnie, aby zakończyć działanie funkcji.

#### **Programowane odtwarzanie (CD/MP3/USB)**

1. W trybie zatrzymania naciśnij jeden raz przycisk PROG/MEM/MODE, zostanie najpierw wyświetlona ikona programu z symbolem „P01”, potem na wyświetlaczu LCD zacznie migać numer wraz ikoną programu.
2. Wybierz pierwszą ścieżkę do zaprogramowania przyciskiem przejścia do następnego/poprzedniego utworu/przewijania do przodu/tyłu, a następnie naciśnij ponownie przycisk PROG/MEM/MODE, aby ją zapisać i przejść do następnego kroku programowania (jeśli na płycie MP3 lub w pamięci USB znajduje się kilka folderów, trzeba najpierw zaprogramować foldery, a potem ścieżki. Sposób programowania folderów jest taki sam, jak programowanie ścieżek).
3. Powtórz powyższe czynności, aby zaprogramować więcej ścieżek. W pamięci można zaprogramować maksymalnie 20 ścieżek w przypadku płyty CD i 99 ścieżek w przypadku płyty MP3/pamięci USB. Jeśli pamięć jest pełna, zostanie wyświetlony komunikat „FULL”.
4. Naciśnij przycisk odtwarzania/pauzy/CH+, aby rozpocząć odtwarzanie w zaprogramowanej kolejności. Odtwarzanie zakończy się po odtworzeniu wszystkich zaprogramowanych ścieżek.

5. Naciśnij przycisk zatrzymania/CH-, aby zatrzymać zaprogramowane odtwarzanie. Po zatrzymaniu programowanego odtwarzania naciśnij przycisk odtwarzania/pauzy/CH+, aby rozpocząć programowane odtwarzanie w poprzedniej kolejności; naciśnij przycisk zatrzymania/CH-, aby skasować program.

## Wejście AUX

1. Podłącz urządzenie zewnętrzne kablem audio — np. odtwarzacz MP3 — do wejścia AUX IN.
2. Włącz zasilanie urządzenia, wykonując odpowiednie czynności.
3. Naciśnij kolejno przycisk SOURCE, aby włączyć tryb AUX.
4. Steruj odtwarzaną muzyką przy użyciu elementów sterowania urządzenia zewnętrznego.

## GNAZDO DO PODŁĄCZENIA SŁUCHAWEK

W tylnej części urządzenia znajduje się gniazdo do podłączenia słuchawek, które umożliwi słuchanie muzyki bez zakłócania spokoju innych osób w otoczeniu. Podłącz zestaw słuchawkowy/słuchawki douszne (NIE WCHODZĄ w skład zestawu) i ustaw żądany poziom głośności.

UWAGA: Podłączenie zewnętrznych słuchawek powoduje wyłączenie głośników.

PRZESTROGA: Długotrwałe słuchanie głośnej muzyki przez słuchawki może być przyczyną uszkodzenia słuchu.

## DANE TECHNICZNE

**Moc wyjściowa:** 1,2 W x 2, całkowite zniekształcenia harmoniczne 10%

**Radio FM z pętlą PLL:** 87,5–108 MHz

**USB:** wersja USB 2.0

**Pobór mocy w trybie oczekiwania:** <0,5 W

**Zasilanie:** 9 V, 1 A (prąd stały)

**Zasilanie z baterii:** UM2 x 6 (baterie nie wchodzą w skład zestawu).

## Informacja dla użytkowników o sposobie postępowania ze użytym sprzętem elektrycznym i elektronicznym.



Symbol przekreślonego kołowego kontenera na odpady umieszczony na produktach informuje, że zużytego sprzętu elektrycznego i elektronicznego nie można wyrzucać wraz z odpadami komunalnymi. Wyrzucając elektrośmieci do kontenera stwarzasz zagrożenie dla środowiska. Segregując i przekazując do przetworzenia, odzysku, recyklingu oraz utylizacji zużyte urządzenia elektryczne i elektroniczne chronisz środowisko przed zanieczyszczeniem i skażeniem, przyczyniasz się do zmniejszenia stopnia wykorzystania zasobów naturalnych oraz obniżenia kosztów produkcji nowych urządzeń.

Szczegółowe informacje o najbliższym punkcie zbiórki można uzyskać bezpośrednio od sprzedawcy lub w firmie Blaupunkt Competence Centre, 2N-Everpol Sp. z o.o., ul. Puławska 403A, 02-801 Warszawa, tel. +48 22 331 9959, email: info@blaupunkt-audio.pl

## DŮLEŽITÉ BEZPEČNOSTNÍ POKYNY



The marking plate is located at the bottom of the apparatus.

### Důležité bezpečnostní pokyny

#### Upozornění:

Chcete-li snížit riziko úrazu elektrickým proudem, neodstraňujte kryt nebo zadní část zařízení. Uvnitř nejsou žádné prvky určené pro opravu uživatelem. Údržbou a opravami zařízení se zabývá pouze kvalifikovaný servisní personál.

#### Vysvětlení grafických symbolů:



Symbol blesku se šipkou umístěn v trojúhelníku upozorňuje uživatele na přítomnost neizolovaného "nebezpečného napětí" v prostoru krytu zařízení, které může dosáhnout velikost hrozící nebezpečí úrazu elektrickým proudem.



Symbol vykřičníku uvnitř rovnostranného trojúhelníku upozorňuje uživatele, že v této části jsou popsány důležité informace týkající se provozu a údržby zařízení v dokumentaci dodané se zařízením.

Před použitím přístroje si přečtěte tento návod, abyste se seznámili s jeho funkcemi a využili je, jak bylo zamýšleno pro zajištění dlouhé životnosti, bezporuchového provozu zařízení a radosti s používáním.

#### Důležité informace

- Uschovejte tento návod a bezpečnostní informace pro jejich použití v budoucnu.
- Nedovolte, aby na přístroj kapala nebo se lila tekutina.
- Nepoužívejte ve vlhkých místech, jako např. koupelny.
- Neumísťujte tento přístroj na následujících místech:
- Vystavených přímému slunečnímu záření nebo blízko radiátorů.
- Na jiná stereofonní zařízení, která generují teplo.
- Blokovat větrání nebo umísťovat v prašném prostředí.
- V prostorech vystavených otřesům.
- V prostorech s vysokou vlhkostí.
- Neumísťujte zařízení v blízkosti otevřeného ohně nebo svíčky.
- Zařízení lze použít pouze tak, jak je popsáno v tomto návodu.
- Před prvním zapnutím se ujistěte, že napájení bylo řádně připojeno.
- USB paměť se připojuje přímo nebo přes prodlužovací USB kabel s délkou do 25 cm.

Z bezpečnostních důvodů neodstraňujte kryty a nesnažte se dostat dovnitř zařízení. Přístroj by měl být opravován pouze kvalifikovaným servisním personálem. Nerozebírejte zařízení ani neotevírejte kryt, protože uvnitř nejsou žádné díly, které mohou být opraveny vlastními silami. Údržbou a opravami zařízení se zabývá výhradně kvalifikovaný servisní personál.

## BEZPEČNOSTNÍ POKYNY

1. **Přečtete si pokyny** - před použitím zařízení si přečtete celý návod a bezpečnostní informace.
2. **Tyto pokyny uschovejte** - uschovejte návod k použití pro použití v budoucnu.
3. **Dodržujte varování** - dodržujte veškerá varování umístěné na zařízení a v souladu s pokyny.
4. **Dodržujte pokyny** - postupujte podle pokynů a návodu pro uživatele.
5. **Instalace** - nastavte zařízení podle pokynů výrobce.
6. **Napájecí zdroje** - tento produkt by měl být napájen pouze ze zdrojů uvedených na označení na napájecím kabelu. Pokud si nejste jisti, jaký typ napájení máte doma, měli byste se obrátit na svého prodejce nebo místního dodavatele elektrické energie.
7. **Uzemnění nebo polarizace napájení** - zařízení nemusí být uzemněno. Ujistěte se, že je zástrčka zcela zasunuta do zásuvky ve zdi nebo do prodlužovacího kabelu, aby se zabránilo odhalení kolíků a kontaktů. Některé verze zařízení mohou být vybaveny polarizovanou zástrčkou AC (s kolíkem). Tuto zástrčku lze zasunout do síťové zásuvky pouze jedním způsobem. Toto je bezpečnostní funkce. Pokud nelze vložit zástrčku do zásuvky, zkuste ji otočit. Pokud zástrčka stále nepasuje do zásuvky, požádejte elektrikáře, aby ji vyměnil. Neodstraňujte zabezpečení polarizované zástrčky. Pokud používáte prodlužovací kabel nebo kabel jiný než dodávaný s zařízením, měl/a byste mít odpovídající zástrčky a bezpečnostní osvědčení požadované ve vaší zemi.
8. **Zajištění napájecího kabelu** - napájecí kabely by měly být vedeny tak, aby nikdo po nich nešlapal, nestiskal a aby nedošlo k odřinutí části zařízení předměty umístěnými vedle. Věnujte zvláštní pozornost zástrčkám, zásuvkám a místům vyznačujícím se tím, že kabely jsou vyvedeny ven ze zařízení.
9. **Přetížení** - Nepřetěžujte zásuvky ve zdi, prodlužovací šňůry a elektrické rozvaděče, může to mít za následek poruchu nebo úraz elektrickým proudem.
10. **Větrání** - Přístroj musí být řádně větran. Nepokládejte výrobek na postel, pohovku, nebo podobný povrch. Nezakrývejte zařízení ubrusy ubrusky, novinami, atd.
11. **Tepló** - Neumísťujte zařízení blízko zdrojů tepla jako jsou radiátory, kamna nebo jiné přístroje (včetně zesilovačů), které produkují teplo. Nepokládejte na zařízení zapálené svíčky a jiné otevřené zdroje ohně.
12. **Voda a vlhkost** - aby se snížilo riziko poruchy nebo úrazu elektrickým proudem, nevystavujte přístroj působení deště, vody a vlhkosti, jako například v sauně, nebo v koupelně. Nepoužívejte toto zařízení v blízkosti vody, například u vany, umyvadla, kuchyňského dřezu nebo prádelní vany, ve vlhkém sklepe nebo v blízkosti bazény (nebo na podobných místech).
13. **Objekty a kapaliny v zařízení** - Nevkládejte objekty přes otvory, protože mohou přijít do styku s body nebezpečného napětí a komponenty, které mohou způsobit poruchu nebo úraz elektrickým proudem. Tekutiny by za žádných okolností neměly vniknout na povrch přístroje. Nepokládejte žádné předměty obsahující kapaliny na horní část zařízení.
14. **Čištění** - před čištěním vždy odpojte přístroj od elektrické zásuvky. Prach kolem reproduktoru lze odstranit jen suchým hadříkem. Pokud je třeba použít čisticí sprej, nesměřujte postřik ne přímo na přístroj, ale na hadřík. Dávejte pozor, aby nedošlo k poškození pohonné jednotky
15. **Přídavná zařízení** - nepoužívejte příslušenství, která nejsou schválena výrobcem, protože mohou představovat hrozbu.
16. **Příslušenství** - neumísťujte přístroj na nestabilní vozík, stojan, stativ, držák nebo stůl. Přístroj může spadnout, poškodit se a způsobit vážné zranění dětem nebo dospělým. Použití pouze s vozíkem, stojanem, trojnožkou, držákem nebo stolem, stanoveným výrobcem nebo prodáváním se zařízením. Instalace zařízení by měla být provedena v souladu s pokyny výrobce, za použití montážních sad doporučených výrobcem.
17. **Stěhování zařízení** - zařízení umístěné na vozíku pohybujte velmi pečlivě. Rychlé zastavení, nadměrné použití síly a nerovné povrchy mohou způsobit převrácení vozíku se zařízením.
18. **Období mimo provoz** - napájecí šňůra musí být odpojena od zásuvky během bouřky nebo kdy přístroj není používán po dlouhou dobu.
19. **Servis** - Nepokoušejte se o vlastnoruční prohlídky zařízení. Otevření krytu může způsobit nebezpečné napětí a vystavit uživatele na nebezpečí. Údržbou a opravami zařízení se zabývá výhradně kvalifikovaný servisní personál.
20. Pokud nepoužíváte zařízení, odpojte napájecí kabel od zásuvky ve zdi. Pokud je zařízení připojeno ke zdroji napájení, je v pohotovostním režimu a není zcela vyloučeno.

- 21. Náhradní díly** - při výměně dílů, zkontrolujte, zda zaměstnanec servisu použil náhradní díly specifikované výrobcem, nebo díly stejné jako původní. Výměna za neschválené díly hrozí poruchou, úrazem elektrickým proudem nebo jiným nebezpečím.
- 22. Hlavní pojistky** – pro kontinuální zabezpečení zařízení před ohněm, použijte pojistky správného typu a parametrů. Parametry pojistky v rozsahu napětí jsou vyznačené na přístroji.
- 23.** Nezvyšujte hlasitost při poslechu skladby malé hlasitosti nebo v nepřítomnosti vstupního zvukového signálu. V opačném případě může dojít k poškození reproduktoru při rychlém zvýšení síly signálu.
- 24.** Jediným způsobem, odpojení zařízení od zdroje elektrické energie je odpojení napájecího kabelu od elektrické zásuvky nebo od zařízení. Zásuvka nebo vstupní napájecí kabel k zařízení musí být vždy k dispozici při používání výrobku.
- 25.** Zařízení by mělo být instalováno v blízkosti elektrické zásuvky nebo prodlužovačky a to takovým způsobem, aby bylo vždy k dispozici.
- 26.** Maximální okolní teplota zařízení je 35 ° C.
- 27.** Pokyny týkající se elektrostatických výbojů - v případě, že činnost zařízení je narušena elektrostatickými výboji, vypněte jej a opětovně zapnete nebo přemístíte přístroj do jiného místa.

## 28. Baterie

- A. Baterie nesmí být vystaveny nadměrnému teplu, jako je sluneční záření, oheň atd.
- B. Při likvidaci baterie, věnujte pozornost environmentálním aspektům.
- C. Upozornění týkající se používání baterií: aby se zabránilo úniku baterie, což může mít za následek zranění nebo poškození zařízení:
- Při vkládání baterií dbejte na správnou polaritu (+ a -).
  - Nepoužívejte různé baterie najednou - staré a nové baterie, standardní a alkalické apod.
  - Vyjměte baterie z přístroje, když není používán po delší dobu.

## Poznámka o ERP2 (zařízení související se spotřebou energie)

Toto zařízení s ekodesignem je v souladu s požadavky části 2 nařízení Komise (ES) 1275/2008 ke směrnici 2009/125/ES o spotřebě energie kterým se provádí směrnice Evropského parlamentu a Rady 2005/32/ES, pokud jde o požadavky na ekodesign z hlediska spotřeby elektrické energie elektrických a elektronických zařízení určených pro domácnosti a kanceláře v pohotovostním režimu a ve vypnutém stavu. Po uplynutí 60 minut bez vstupního audio signálu zařízení se automaticky přepne do pohotovostního režimu. Informace o obnovení normálního provozu lze nalézt v příručce.

## Důležité informace:

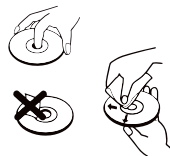
Tento přístroj je vybaven režimem pro úsporu energie: pokud v rámci 60 minut nebude automaticky podán žádný vstupní signál, přístroj přejde do pohotovostního režimu, aby šetřil energii (ERP standard 2). Je třeba poznamenat, že nízké nastavení hlasitosti ve zdroji audio signálu může být rozpoznáno jako stav "bez zvuku", což může ovlivnit vaši schopnost detekování signálu ze zařízení a způsobit automaticky posun do pohotovostního režimu. V tomto případě, obnovte přenos zvuku a zvýšte hlasitost zdroje zvuku (MP3 přehrávač atd.), pro obnovení přehrávání. Pokud problém přetrvává, obraťte se na místní servisní středisko.

## VAROVÁNÍ

Přístroj by neměl být používán osobami (včetně dětí) s fyzickým, smyslovým nebo mentálním postižením a osobami s nedostatečnými znalostmi a zkušenostmi, pokud nejsou pod dohledem osoby odpovědné za jejich bezpečnost a nebyly poučeny, jak bezpečně používat zařízení. Přítomnost dospělých je nutná v případě, že zařízení obsluhují děti; to umožní zajištění bezpečného provozu zařízení.

1. Nikdy nenechávejte zařízení běžet bez dozoru! Vypněte zařízení, pokud jej nepoužíváte, a to i na krátkou dobu.
2. Neprovozujte přístroj přes externí časovač nebo samostatný systém dálkového ovládání.
3. Aby se zabránilo nebezpečí, v případě poškození napájecího kabelu výměnu by měl dělat výrobce, autorizovaný poskytovatel služeb nebo jiná osoba, mající příslušné kvalifikace.
4. Před použitím zařízení zkontrolujte, zda napětí odpovídá napětí vyskytujícímu se v místní síti.
5. Nezakrývejte větrací otvory novinami, ubrusy, záclonami, atd. Ujistěte se, že nad přístrojem je alespoň 20 cm volného prostoru, a z každé strany - nejméně 5 cm.

6. Nedovolte, aby na přístroj kapaly nebo se lily tekutiny a nepokládejte na něj předměty naplněné kapalinami, jako například vázy.
7. Aby nedošlo k poruše nebo k úraze elektrickým proudem, nevystavujte zařízení na horká místa, na dešť, vlhkost a prach.
8. Nepokládejte zařízení do blízkosti zdrojů vody, jako jsou kohoutky, vany, pračky nebo bazény. Umístěte zařízení na plochý stabilní povrch.
9. Nevystavujte silnému magnetickému poli.
10. Nepokládejte zařízení přímo na zesilovači nebo přijímači.
11. Nepokládejte přístroj na vlhká místa, protože vlhkost poškozuje elektrické součásti.
12. Přenos zařízení z chladného do teplého prostředí nebo do vlhkého prostoru může vést ke kondenzaci vlhkosti na čočce uvnitř přehrávače. V takové situaci, přístroj nebude pracovat správně. Nechte součásti v přístroji po dobu jedné hodiny pro odpařování vlhkosti.
13. Nečistěte zařízení chemickými rozpouštědly, protože mohou zničit lak skříně. Přístroj se čistí čistým, suchým nebo mírně vlhkým hadříkem.
14. Při odpojování ze zásuvky vždy tahejte za zástrčku, ne za kabel.
15. Když se zapnutý přístroj používá v blízkosti zapnutého televizoru, může být zdrojem narušení obrazu v podobě čar na obrazovce. Kvalita obrazu záleží na vlnovém pásmu TV vysílání. Tento jev neznamená poruchu zařízení nebo televizoru. Vidíte-li tyto čáry, umístěte přístroj do větší vzdálenosti od televizoru.
16. Sítač zástrčka se používá k odpojení napájení a měla by být vždy k dispozici.
17. Chcete-li zachovat laserovou hlavu pro čtení CD v čistotě, nedotýkejte ji a vždy zavřete zásuvku disku.
18. Během přehrávání se disk otáčí vysokou rychlostí. NEZVEDEJTE a nepohybujte zařízením během přehrávání, protože může to způsobit poškození disku nebo samotného zařízení.
19. Před přesunem přístroje na jiné místo nebo během stěhování vyjměte disk a zavřete zásuvku disku. Potom vypněte napájení a odpojte napájecí kabel. Stěhování zařízení s diskem v kapse může být příčinou poruchy.
20. Po přehrávání disk musí být umístěn v obalu. Nevystavujte disk přímému slunečnímu záření a zdrojům tepla. Nenechávejte desky uvnitř automobilu zaparkovaného na přímém slunci.
21. Nedotýkejte strany disku bez štitku. Držte disk za jeho okraje, nenechte otisky prstů. Prach, otisky prstů nebo škrábance na disku mohou způsobit poruchu přehrávače. Nepřipojujte poznámky nebo pásku na disk.
22. Pro čištění disku použijte čistý hadřík, který nepouští vlákna. Začněte čištění lineárně od centra na okraj disku, s použitím běžně dostupných čistících prostředků nebo antistatických prostředků na gramofonové desky.
23. Chcete-li zabránit možné ztrátě sluchu, neposlouchejte hudbu delší dobu nahlas.



## VAROVÁNÍ : ZDROJ ZÁŘENÍ

CLASS 1 LASER PRODUCT  
LUOKAN 1 LASERLAITE  
KLASS 1 LASERAPPARAT

Toto označení znamená, že uvnitř zařízení jsou laserové komponenty. Otevření krytu kapsy CD a opomenutí bezpečnostních pojistek vystavuje na laserové záření. Nedívejte se do laserového paprsku během provozu.

## PŘED UVEDENÍM DO PROVOZU

### Poznámky: tykající se desek CD.

Špinavé, poškozené nebo deformované disky mohou způsobit poškození zařízení, dbejte na následující:

A. Kompaktní disky, které můžete použít. Můžete použít pouze desky určené níže:



B. CD pouze s digitálním audio zvukem

## POZOR



This product complies with the radio interference requirements of the European community.



Výrobek byl vyroben s vysoce kvalitních materiálů a komponentů, které lze recyklovat a znovu použít.



Pokud je na vašim zařízení znamení přeškrtnuté popelnice znamená, že výrobek podléhá ustanovení evropské směrnice 2002/96/ES. Prostudujte si požadavky lokálního systému sběru odpadu elektrických a elektronických zařízení. Dodržujte místní předpisy. Nevyhazujte tento výrobek do běžného komunálního odpadu. Správné odstranění starého výrobku pomůže předcházet případným negativním dopadům na životní prostředí a lidské zdraví.



Přístroj je vybaven baterií, na kterou se vztahuje směrnice Evropské unie 2006/66/ES. Baterie nesmí být likvidována spolu s komunálním odpadem. Prostudujte si místní pravidla týkající se sběru tříděného odpadu baterií, protože správnou recyklací pomůžete zabránit případným negativním důsledkům na životní prostředí a lidské zdraví.

### Informace o ochraně životního prostředí

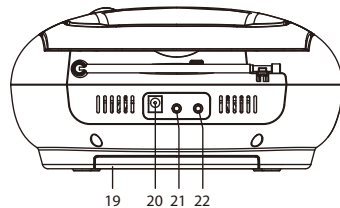
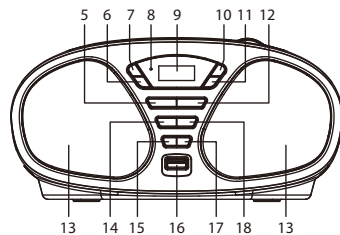
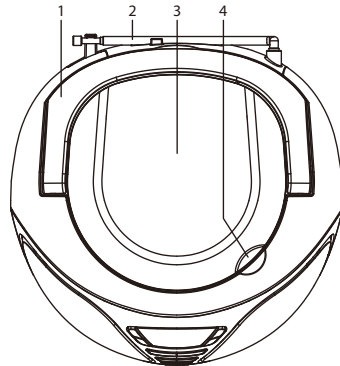
Balíček obsahuje pouze nezbytné prvky. Každá snaha byla provedena s cílem zajistit, aby materiály součástí obalu byly snadno oddělitelné: lepenka (krabice), pěnový polystyren (zabezpečení uvnitř) a polyetylen (sáčky, ochranné fólie). Zařízení bylo vyrobeno z materiálů, které mohou být recyklovány a opět použity po demontáži specializovanou společností. Dodržujte místní předpisy týkající se likvidace obalových materiálů, vybitých baterií a zbytečného zařízení. Nahrávání a přehrávání materiálů může vyžadovat souhlas. Viz zákon o autorských právech a právech umělců.



## PROHLÍDKA PŘEHRAVAČE

### FUNKCE OVLÁDÁNÍ

1. Sklopná rukojeť
2. Teleskopická anténa pro příjem FM
3. Dvířka CD příhrádky
4. Otevření dvířek kapsy CD
5. Tlačítko PROG / MEM / MODE
6. Tlačítko přechod na předchozí skladbu / posun zpět
7. Tlačítko přechod na další skladbu / posun vpřed
8. Indikátor pohotovostního režimu
9. LCD displej
10. Tlačítko Play / Pause/CH+
11. Tlačítko Stop
12. Tlačítko FOLDER/10 +
13. Reproduktory
14. Tlačítko VOL -
15. Tlačítko SOURCE
16. Port USB
17. Tlačítko zapnutí / pohotovostní režim
18. Tlačítko VOL +
19. Příhrádka na baterie
20. DC napájecí konektor
21. Jack pro sluchátka
22. Konektor Aux-IN



## NAPÁJENÍ

### Napájení z baterie

1. Opatrně sejměte kryt baterie.
2. Vložte 6 baterií "C" (UM-2 nebo ekvivalent) se správnou polaritou.
3. Zasuňte kryt baterie.

### POZNÁMKA:

- Odpojte napájecí adaptér od konektoru DC IN zařízení pro umožnění jeho napájení z baterie.
- Neutěsněné baterie mohou poškodit příhrádku baterií a přehrávač. Vyměňte baterie z příhrádky, pokud jsou vybité nebo pokud přístroj nebude používán po dlouhou dobu.

### Síťové napájení

Připojte dodaný napájecí adaptér do konektoru DC IN a elektrické zásuvky.

**POZNÁMKA:** Pokud zařízení pro více než hodinu nebude mít žádný audio signál, automaticky se přepne do pohotovostního režimu (neplatí pro režim FM Radio).

## FM RADIO

### Ladění rádiových stanic VKV

1. Indikátor se rozsvítí, pokud je připojen k síti. Stiskněte tlačítko zapnutí / pohotovostní režim pro zapnutí zařízení (indikátor pohotovostního režimu se vypne).
2. Opakovaným stisknutím tlačítka SOURCE přepněte na FM rádio.
3. Chcete-li spustit automatické vyhledávání stanic, stiskněte a podržte tlačítko přechod na předchozí skladbu / posun zpět anebo přechod na další skladbu / vpřed po dobu několika sekund, a pak pusťte.
4. Stiskněte se tlačítko přechod na předchozí skladbu / posun zpět anebo přechod na další skladbu / vpřed pro ruční naladění rozhlasových stanic.
5. Nastavte pohodlnou hlasitost stisknutím tlačítka VOL + / -.
6. Stiskněte tlačítko zapnutí / pohotovostní režim pro vypnutí napájení.

### POZNÁMKA:

Teleskopická FM anténa je směrová. Během rozhlasového vysílání v pásmu FM úplně ji vytáhněte a otočte, abyste získali co nejlepší příjem.

### Programování vašich oblíbených rozhlasových stanic

1. Naladte první oblíbenou rozhlasovou stanicí a poté stiskněte tlačítko PROG / MEM / MODE tlačítko pro uložení aktuální stanice až na displeji LCD začne blikat číslo místa v paměti.
2. Vyberte číslo paměťového místa stisknutím tlačítka stop nebo tlačítka play / pause / CH +.
3. Potvrďte svou volbu stisknutím tlačítka PROG / MEM / MODE.
4. Při poslechu rádia stiskněte tlačítko stop/CH- nebo tlačítko play / pause / CH + pro výběr přednastavených stanic.

## PROVOZ

### Vkládání disku

1. Otevřete dvířka CD kapsy, drží otvor.
2. Vložte disk do kapsy (potištěnou stranou nahoru).
3. Zavřete kryt CD kapsy.

### Play a Disc (CD/MP3)

1. Press the ON/STANDBY button to turn the unit on (the standby indicator will be off).
2. Press the SOURCE button repeatedly to switch to CD mode.
3. Follow the steps above to load a disc.
4. The player begins reading disc immediately.
5. When the disc is successfully read, the playback will start from the first track automatically.
6. Press the PLAY/PAUSE/CH+ button once to halt music playback, press the button again to resume the normal playback; press the STOP/CH- button to cease music playback.

### Přehrávání disku (CD/MP3)

1. Stiskněte tlačítko zapnutí / pohotovostní režim pro zapnutí zařízení (indikátor pohotovostní režim se vypne).
2. Stiskněte tlačítko SOURCE pro zapnutí CD.
3. Postupujte podle výše uvedených kroků pro načtení disku.
4. Přehrávač načte disk.
5. Po úspěšném načtení disku, přehrávání se automaticky spustí od první skladby.
6. Stiskněte tlačítko play / pause / CH + pro pozastavení přehrávání; stiskněte znovu tlačítko play / pause / CH + pro návrat k normálnímu přehrávání; stiskněte tlačítko stop/CH- pro zastavení přehrávání.

### Podpora externího paměťového zařízení (USB)

1. Stiskněte tlačítko zapnutí / pohotovostní režim pro zapnutí zařízení (indikátor pohotovostní režim se vypne).
2. Připojte zařízení USB k portu USB.
3. Stisknutím tlačítka SOURCE přepnete do režimu USB.

- Po detekci a načtení obsahu připojeného USB zařízení se přehrávání automaticky spustí od první skladby.
- Stiskněte tlačítko play / pause / CH + pro pozastavení nebo obnovení přehrávání.
- Stiskněte tlačítko stop/CH- pro zastavení přehrávání.

#### **Přeskakování skladeb a vyhledávání konkrétního místa k přehrávání (CD/MP3/USB)**

- Stiskněte jednou tlačítko přechod na další skladbu / vpřed pro přechod na další skladbu. Stiskněte jednou tlačítko přechod na předchozí skladbu / posun zpět pro přechod na začátek písně; stiskněte toto tlačítko dvakrát pro přeskočení na předchozí skladbu.
- Stiskněte a podržte tlačítko přechod na předchozí skladbu / posun zpět anebo přechod na další skladbu / vpřed pro rychlý přechod na konkrétní místo v písni.
- Během přehrávání jednou stiskněte tlačítko FOLDER/10 + pro přechod o 10 skladeb vpřed, dvakrát pro přechod o 20 skladeb. Pomocí tohoto tlačítka můžete přejít na poslední skladbu na disku.

#### **Přechod na předchozí / následující složku (MP3/USB)**

- Během přehrávání stiskněte a podržte tlačítko FOLDER/10 + až číslo složky blikne na displeji.
- Stiskněte tlačítko přechod na předchozí skladbu / posun zpět anebo přechod na další skladbu / vpřed pro výběr požadované složky.
- Po vysvětlení čísla složky na displeji stiskněte tlačítko FOLDER/10 + pro potvrzení.

#### **Opakované přehrávání (CD/MP3/USB)**

Během přehrávání stiskněte tlačítko PROG / MEM / MODE pro opakované přehrávání jedné skladby; stiskněte dvakrát pro opakování všech skladeb; stiskněte tlačítko třikrát pro přehrávání začátků skladeb; stiskněte tlačítko čtyřikrát pro přepnutí do režimu náhodného přehrávání; stiskněte pětikrát pro vypnutí funkce.

#### **Programované přehrávání (CD/MP3/USB)**

- V režimu zastavení stiskněte jednou tlačítko PROG / MEM / MODE, na displeji se objeví ikona programu, symbol P01, poté bude na displeji najednou blikat číslo a ikona programu.
- Vyberte první skladbu, kterou chcete naprogramovat stisknutím tlačítka přechod na předchozí skladbu / posun zpět anebo přechod na další skladbu / vpřed; pak stiskněte tlačítko PROG / MEM / MODE pro uložení a přechod na další krok programování (pokud v paměti disku MP3 nebo USB je několik složek, musíte si nejprve naprogramovat složky, a poté skladby. Způsob programování složek je stejný jako programování skladeb).
- Opakujte výše uvedené kroky pro naprogramování dalších skladeb. V paměti můžete naprogramovat až 20 skladeb v případě CD a až 99 stop v případě MP3/paměti USB. Je-li paměť plná, zobrazí se informace "PLNÁ".
- Stiskněte tlačítko play / pause / CH + pro spuštění přehrávání naprogramovaného pořadí. Přehrávání se zastaví po přehrávání všech naprogramovaných skladeb.
- Stisknutím tlačítka stop/CH- zastavíte naprogramované přehrávání. Po zastavení naprogramovaného přehrávání stiskněte tlačítko play / pause / CH + pro spuštění naprogramované přehrávání v předchozím pořadí; stiskněte tlačítko stop CH- pro odstranění programu.

#### **AUX vstup**

- Připojte externí zařízení audio kabelem - např. MP3 přehrávač – ke vstupu AUX IN.
- Zapněte napájení zařízení pomocí následujících kroků.
- Stisknutím tlačítka SOURCE aktivujte režim AUX.
- Ovládejte přehrávání hudby pomocí ovládacích prvků externího zařízení.

#### **Konektor pro připojení sluchátek**

V zadní části zařízení je jack pro připojení sluchátek, které umožňují poslouchání hudby, aniž byste rušili ostatní v okolí. Připojte náhlavní soupravu/ sluchátka (NEJSOU součástí sady) a nastavte požadovanou úroveň hlasitosti.

**POZNÁMKA:** Připojením externích sluchátek se odpojí reproduktory.

**UPOZORNĚNÍ:** Dlouhotrvající poslouchání hlasité hudby přes sluchátka může způsobit poškození sluchu.

## SPECIFIKACE

**Výstupní výkon:** 1,2 W x 2, THD 10%

**FM rádio s PLL:** 87,5 - 108 MHz

**USB:** USB verze 2.0

**Spotřeba energie v pohotovostním režimu:** <0,5 W

**Napájení:** 9 V, 1 A (DC)

**Výkon baterií:** 6 x UM2 baterie (nejsou součástí sady).

## Informace týkající se nakládání s elektronickým zařízením



Označení na zařízení a v příložené dokumentaci znamenají, že zařízení nesmí být likvidováno společně s netříděným komunálním odpadem. Vyhazování elektroodpadů do popelnice je riziko pro životní prostředí. Třídění, zpracování, využití, recyklace a likvidace elektroodpadů pomáhá chránit životní prostředí před znečištěním a kontaminací, pomáhá snížit využívání přírodních zdrojů a snižuje náklady na výrobu nových zařízení.

Za účelem zjištění podrobnosti o nejbližším sběrném místě kontaktujte prodejce nebo společnost Blaupunkt Competence Centre, 2N-Everpol Sp. s o.o., ul.Puławska 403A, 02-801 Varšava, tel. +48 22 331 9959, e-mail: [info@blaupunkt-audio.pl](mailto:info@blaupunkt-audio.pl)

V případě otázek nebo problémů, obraťte se na naše služby.

Všechna práva vyhrazena. Všechny obchodní značky jsou registrované ochrannými známkami jejich příslušných vlastníků. Údaje a specifikace se mohou změnit bez předchozího upozornění.

## DÔLEŽITÉ BEZPEČNOSTNÉ POKYNY



The marking plate is located at the bottom of the apparatus.

### Dôležité bezpečnostné pokyny

#### Upozornenie:

Ak chcete znížiť riziko úrazu elektrickým prúdom, neodstraňujte kryt alebo zadnú časť zariadenia. Vnútri nie sú žiadne prvky určené na opravu používateľom. Údržbou a opravami zariadení sa zaoberá len kvalifikovaný servisný personál.

#### Vysvetlenie grafických symbolov:



Symbol blesku so šípkou umiestnený v trojuholníku upozorňuje užívateľa na prítomnosť neizolovaného "nebezpečného napätia" v priestore krytu zariadenia, ktoré môže dosiahnuť veľkosť hroziacu nebezpečenstvo úrazu elektrickým prúdom.



Výkričník vo vnútri rovnostranného trojuholníka upozorňuje užívateľa, že v tejto časti sú popísané dôležité informácie týkajúce sa prevádzky a údržby zariadení v dokumentácii dodanej so zariadením.

Pred použitím prístroja si prečítajte tento návod, aby ste sa oboznámili s jeho funkciami a využili je, ako bolo zamýšľané pre zaistenie dlhej životnosti, bezporuchovej prevádzky zariadenia a radosti s použitia.

#### Dôležité informácie

- Uschovajte tento návod a bezpečnostné informácie pre ich použitie v budúcnosti.
- Nedovoľte, aby na prístroj kvapkala alebo sa lila tekutina.
- Nepoužívajte vo vlhkých miestach, ako napr kúpeľne.
- Neumiestňujte tento prístroj na nasledujúcich miestach:
- Vystavených priamemu slnečnému žiareniu alebo blízko radiátorov.
- Na iné stereofónne zariadenie, ktoré generujú teplo.
- Blokovať vetranie alebo umiestňovať v prašnom prostredí.
- V priestoroch vystavených otrasom.
- V priestoroch s vysokou vlhkosťou.
- Neumiestňujte zariadenie v blízkosti otvoreného ohňa alebo sviečky.
- Zariadenie je možné použiť iba tak, ako je popísané v tomto návode.
- Pred prvým zapnutím sa uistite, že napájanie bolo správne pripojené.
- USB pamäť sa pripája priamo alebo cez predĺžovací USB kábel s dĺžkou do 25 cm.

Z bezpečnostných dôvodov neodstraňujte kryty a nesnažte sa dostať dovnútra zariadenia. Prístroj by mal byť opravovaný iba kvalifikovaným servisným personálom. Nerozoberajte zariadenie ani neotvárajte kryt, pretože vo vnútri nie sú žiadne diely, ktoré môžu byť opravené vlastnými silami. Údržbou a opravami zariadení sa zaoberá výhradne kvalifikovaný servisný personál.

## BEZPEČNOSTNÉ POKYNY

1. **Prečítajte si pokyny** - pred použitím zariadenia si prečítajte celý návod a bezpečnostné informácie.
2. **Tieto pokyny uschovajte** - uschovajte návod na použitie pre použitie v budúcnosti.
3. **Dodržiavajte varovanie** - dodržujte všetky varovania umiestnené na zariadení a v súlade s pokynmi.
4. **Dodržiavajte pokyny** - postupujte podľa pokynov a návodu pre užívateľa.
5. **Inštalácia** - nastavte zariadenie podľa pokynov výrobcu.
6. **Napájacie zdroje** - tento produkt by mal byť napájaný iba zo zdrojov uvedených na označenie na napájacom kábli. Ak si nie ste istí, aký typ napájania máte doma, mali by ste sa obrátiť na svojho predajcu alebo miestneho dodávateľa elektrickej energie.
7. **Uzemnenie alebo polarizácia napájania** - zariadenie nemusí byť uzemnené. Uistite sa, že je zástrčka úplne zasunutá do zásuvky v stene alebo do predĺžovacieho kábla, aby sa zabránilo odhaleniu kolíkov a kontaktov. Niektoré verzie zariadenia môžu byť vybavené polarizovanou zástrčkou AC (s kolíkom). Túto zástrčku je možné zasunúť do sieťovej zásuvky iba jedným spôsobom. Toto je bezpečnostná funkcia. Ak nie je možné vložiť zástrčku do zásuvky, skúste ju otočiť. Ak zástrčka stále nepasuje do zásuvky, požiadajte elektrikára, aby ju vymenil. Neodstraňujte zabezpečenia polarizovanej zástrčky. Ak používate predĺžovací kábel alebo kábel iný ako dodávaný s zariadením, mal / a by ste mal zodpovedajúce zástrčky a bezpečnostné osvedčenie požadované vo vašej krajine.
8. **Zaistenie napájacieho kábla** - napájacie káble by mali byť vedené tak, aby nikto po nich nešliapal, nestiskal a aby nedošlo k odrezaniu časti zariadenia predmetami umiestnenými vedľa. Venujte zvláštnu pozornosť zástrčkám, zásuvkám a miestam vyznačujúcim sa tým, že káble sú vyvedené von zo zariadenia.
9. **Preťaženie** - nepreťažujte zásuvky, predĺžovacie šnúry a elektrické rozvádzače, môže to mať za následok poruchu alebo úraz elektrickým prúdom.
10. **Vetranie** - Prístroj musí byť riadne vetranie. Nekladte výrobok na posteľ, pohovku, alebo podobný povrch. Nezakrývajte zariadenie obrusy, obrúsky, novinami, atď
11. **Teplô** - Neumiestňujte zariadenie blízko zdrojov tepla ako sú radiátory, kachle alebo iné prístroje (vrátane zosilňovačov), ktoré produkujú teplo. Nekladte na zariadenie zapálené sviečky a iné otvorené zdroje ohňa.
12. **Voda a vlhkosť** - aby sa znížilo riziko poruchy alebo úrazu elektrickým prúdom, nevystavujte prístroj pôsobeniu dažďa, vody a vlhkosti, ako napríklad v saune, alebo v kúpeľni. Nepoužívajte toto zariadenie v blízkosti vody, napríklad pri vani, umývadle, kuchynského drezu alebo vane, vo vlhkej pivnici alebo v blízkosti bazéna (alebo na podobných miestach).
13. **Objekty a kvapaliny v zariadení** - Nevkladajte objekty cez otvory, pretože môžu prísť do styku s bodmi nebezpečného napätia a komponenty, ktoré môžu spôsobiť poruchu alebo úraz elektrickým prúdom. Tekutiny by za žiadnych okolností nemali vniknúť na povrch prístroja. Nekladte žiadne predmety obsahujúce kvapaliny na hornú časť zariadenia.
14. **Čistenie** - pred čistením vždy odpojte prístroj od elektrickej zásuvky. Prach okolo reproduktora možno odstrániť len suchou handričkou. Ak je potrebné použiť čistiaci sprej, nesmerujte postrek nie priamo na prístroj, ale na handričku. Dávajte pozor, aby nedošlo k poškodeniu pohonnej jednotky
15. **Pridavné zariadenia** - nepoužívajte príslušenstvo, ktoré nie sú schválené výrobcom, pretože môžu predstavovať hrozbu.
16. **Príslušenstvo** - neumiestňujte prístroj na nestabilný vozík, stojan, statív, držiak alebo stôl. Prístroj môže spadnúť, poškodiť sa a spôsobiť vážne zranenie deťom alebo dospelým. Použitie iba s vozíkom, stojanom, trojnožkou, držiakom alebo stolom, stanoveným výrobcovia alebo predávajúci sa so zariadením. Inštalácia zariadenia by mala byť vykonaná v súlade s pokynmi výrobcu, za použitia montážnych sád odporúčaných výrobcom.
17. **Sťahovanie zariadenia** - zariadenie umiestnené na vozíku pohybuje veľmi starostlivo. Rýchle zastavenie, použitie nadmernej sily a nerovné povrchy môžu spôsobiť prevrátenie vozíka so zariadením.
18. **Obdobie mimo prevádzky** - napájací šnúra musí byť odpojená od zásuvky počas búrky alebo keď prístroj nie je používaný po dlhú dobu.
19. **Servis** - Nepokúšajte sa o vlastnoručný prehliadky zariadení. Otvorenie krytu môže spôsobiť nebezpečné napätie a vystaviť užívateľa na nebezpečenstvo. Údržbou a opravami zariadení sa zaoberá výhradne kvalifikovaný servisný personál.
20. Ak nepoužívate zariadenie, odpojte napájací kábel od zásuvky v stene. Ak je zariadenie pripojené k zdroju napájania, je v pohotovostnom režime a nie je úplne vylúčené.

- 21. Náhradné diely** - pri výmene dielov, skontrolujte, či zamestnanec servisu použil náhradné diely špecifikované výrobcom, alebo diely rovnaké ako pôvodné. Výmena za neschválenie diely hrozí poruchou, úrazom elektrickým prúdom alebo iným nebezpečenstvom.
- 22. Hlavné poistky** - pre kontinuálne zabezpečení zariadenia pred ohňom, použite poistky správneho typu a parametrov. Parametre poistky v rozsahu napätia sú vyznačené na prístroji.
- 23.** Nezvyšujte hlasitosť pri počúvaní skladby malej hlasitosti alebo v neprítomnosti vstupného zvukového signálu. V opačnom prípade môže dôjsť k poškodeniu reproduktora pri rýchlom zvýšení sily signálu.
- 24.** Jediným spôsobom odpojenia zariadenia od zdroja elektrickej energie je odpojenie napájacieho kábla od elektrickej zásuvky alebo od zariadenia. Zásuvka alebo vstupný napájací kábel k zariadeniu musí byť vždy k dispozícii pri používaní výrobku.
- 25.** Zariadenie by malo byť inštalované v blízkosti elektrickej zásuvky alebo predlžovačky a to takým spôsobom, aby bolo vždy k dispozícii.
- 26.** Maximálna okolitá teplota zariadenia je 35 °C
- 27.** Pokyny týkajúce sa elektrostatických výbojov - v prípade, že činnosť zariadenia je narušená elektrostatickými výbojmi, vypnite ho a opätovne zapnete alebo premiestnite prístroj do iného miesta.

## 28. Batérie

- 1). Batérie nesmú byť vystavené nadmernému teplu, ako je slnečné žiarenie, oheň atď
- 2). Pri likvidácii batérie, venujte pozornosť environmentálnym aspektom.
- 3). Upozornenia týkajúce sa používania batérií: aby sa zabránilo úniku batérie, čo môže mať za následok zranenie alebo poškodenie zariadenia:
  - Pri vkladaní batérií dbajte na správnu polaritu (+ a -).
  - Nepoužívajte rôzne batérie naraz - staré a nové batérie, štandardné a alkalické atď
  - Vyberte batérie z prístroja, keď nie je používaný po dlhšiu dobu

## Poznámka o ERP2 (zariadenia súvisiace so spotrebou energie)

Toto zariadenie s ekodizajnom je v súlade s požiadavkami časti 2 nariadenia Komisie (ES) 1275/2008 k smernici 2009/125/ES o spotrebe energie ktorým sa vykonáva smernica Európskeho parlamentu a Rady 2005/32/ES, pokiaľ ide o požiadavky na ekodizajn z hľadiska spotreby elektrickej energie elektrických a elektronických zariadení v domácnosti a kancelárii v pohotovostnom režime a vo vypnutom stave. Po uplynutí 60 minút bez vstupného audio signálu zariadenie sa automaticky prepne do pohotovostného režimu. Informácie o obnovení normálnej prevádzky možno nájsť v príručke.

## Dôležité informácie:

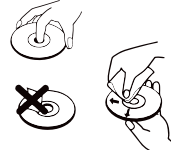
Tento prístroj je vybavený režimom pre úsporu energie: ak v rámci 60 minút nebude automaticky podaný žiadny vstupný signál, prístroj prejde do pohotovostného režimu, aby šetril energiu (ERP štandard 2). Je potrebné poznamenať, že nízke nastavenie hlasitosti v zdroji audio signálu môže byť rozpoznané ako stav "bez zvuku", čo môže ovplyvniť vašu schopnosť detekovanie signálu zo zariadenia a spôsobiť automaticky posun do pohotovostného režimu. V tomto prípade, obnovte prenos zvuku a zvýšte hlasitosť zdroja zvuku (MP3 prehrávač atď), pre obnovenie prehrávania. Ak problém pretrváva, obráťte sa na miestne servisné stredisko.

## VAROVANIE

Prístroj by nemal byť používaný osobami (vrátane detí) s fyzickým, zmyslovým alebo mentálnym postihnutím a osobami s nedostatočnými znalosťami a skúsenosťami, pokiaľ nie sú pod dohľadom osoby zodpovednej za ich bezpečnosť a neboli poučené, ako bezpečne používať zariadenie. Prítomnosť dospelých je nutná v prípade, že zariadenie obsluhujú deti; to umožní zabezpečenie bezpečnej prevádzky zariadenia.

1. Nikdy nenechávajte zariadenie bežať bez dozoru! Vypnite zariadenie, ak ho nepoužívate, a to aj na krátku dobu.
2. Nepoužívajte prístroj cez externý časovač alebo samostatný systém diaľkového ovládania.
3. Aby sa zabránilo nebezpečenstvu, v prípade poškodenia napájacieho kábla výmenu by mal robiť výrobca, autorizovaný poskytovateľ služieb alebo iná osoba, majúca príslušné kvalifikácie.
4. Pred použitím zariadenia skontrolujte, či napätie zodpovedá napätiu vyskytujúcu sa v miestnej sieti.

5. Nezakrývajte vetracie otvory novinami, obrusmi, záclonami, atď Uistite sa, že nad prístrojom je aspoň 20 cm voľného priestoru, az každej strany - najmenej 5 cm.
6. Nedovoľte, aby na prístroj kvapkali alebo sa lily tekutiny a nekladte naň predmety naplnené kvapalinami, ako napríklad vázy.
7. Aby nedošlo k poruche alebo k úrazu elektrickým prúdom, nevystavujte zariadenie na horúčavy miesta, na dážď, vlhkosť a prach.
8. Nepokladajte zariadenie do blízkosti zdrojov vody, ako sú kohútiky, vane, práčky alebo bazény. Umiestnite zariadenie na rovný stabilný povrch.
9. Nevystavujte silnému magnetickému poľu.
10. Nekladte zariadenie priamo na zosilňovači alebo prijímači.
11. Nekladte prístroj na vlhka miesta, pretože vlhkosť poškodzuje elektrické súčasti.
12. Prenos zariadení z chladného do teplého prostredia alebo do vlhkého priestoru môže viesť ku kondenzácii vlhkosti na šošovke vo vnútri prehrávača. V takejto situácii, prístroj nebude pracovať správne. Nechajte súčasťou v prístroji po dobu jednej hodiny pre odparovanie vlhkosti.
13. Nečistite zariadenie chemickými rozpúšťadlami, pretože môžu zničiť lak skříně. Prístroj sa čistí čistým suchým alebo mierne vlhkou handričkou.
14. Pri odpájaní zo zásuvky vždy ťahajte za zástrčku, nie za kábel.
15. Keď sa zapnutý prístroj používa v blízkosti zapnutého televízora, môže byť zdrojom narušenia obrazu v podobe čiar na obrazovke. Kvalita obrazu závisí na vlnovom pásme TV vysielania. Tento jav neznamená poruchu zariadenia alebo televízora. Vidíte-li tieto čiary, umiestnite prístroj do väčšej vzdialenosti od televízora.
16. Sieťová zástrčka sa používa na odpojenie napájania a mala by byť vždy k dispozícii.
17. Ak chcete zachovať laserovú hlavu pre čítanie CD v čistote, nedotýkajte ju a vždy zatvorte zásuvku disku.
18. Počas prehrávania sa disk otáča vysokou rýchlosťou. NEDVÍHAJTE a nepohybujte zariadením počas prehrávania, pretože môže to spôsobiť poškodenie disku alebo samotného zariadenia.
19. Pred presunom prístroja na iné miesto alebo počas sťahovania vyberte disk a zatvorte zásuvku disku. Potom vypnite napájanie a odpojte napájací kábel. Sťahovanie zariadenie s diskom vo vrecku môže byť príčinou poruchy.
20. Po prehraní disk musí byť umiestnený v obale. Nevystavujte disk priamemu slnečnému žiareniu a zdrojom tepla. Nenechávajte dosky vnútri automobilu zaparkovaného na priamom slnku.
21. Nedotýkajte strany disku bez štitku. Držte disk za jeho okraje, nenechajte odtlačky prstov. Prach, odtlačky prstov alebo škrabance na disku môžu spôsobiť poruchy prehrávača. Nepripájajte poznámky alebo pásku na disk.
22. Na čistenie disku použite čistú handričku, ktorá nepúšťa vlákna. Začnite čistenie lineárne od centra na okraj disku, s použitím bežne dostupných čistiacich prostriedkov alebo antistatických prostriedku na gramofónové platne.
23. Ak chcete zabrániť novej strate sluchu, nepočúvajte hudbu dlhšiu dobu nahlas.



## VAROVANIE: ZDROJ ŽIARENIA

CLASS 1 LASER PRODUCT  
LUOKAN 1 LASERLAITE  
KLASS 1 LASERAPPARAT

Toto označenie znamená, že vo vnútri zariadenia sú laserové komponenty. Otvorenie krytu vrecká CD a opomenutia bezpečnostných poistiek vystavuje na laserové žiarenia. Nepozerajte sa do laserového lúča.



## Pred uvedením do prevádzky

### Poznámky: týkajúce sa dosiek CD.

Špinavé, poškodené alebo zdeformované disky môžu spôsobiť poškodenie zariadenia, dbajte na nasledujúce:

A. Kompaktné disky, ktoré môžete použiť. Môžete použiť len dosky určené nižšie:



B. CD len s digitálnym audio zvukom

## POZOR



This product complies with the radio interference requirements of the European community.



Výrobok bol vyrobený s vysoko kvalitných materiálov a komponentov, ktoré je možné recyklovať a znovu použiť.



Ak je na zariadení znamenie prečiarknutého koša znamená, že výrobok podlieha ustanoveniam európskej smernice 2002/96/ES. Preštudujte si požiadavky lokálneho systému zberu odpadu elektrických a elektronických zariadení. Dodržujte miestne predpisy. Nevyhadzujte tento výrobok do bežného komunálneho odpadu. Správne odstránenie starého výrobku pomôže predchádzať prípadným negatívnym dopadom na životné prostredie a ľudské zdravie.



Prístroj je vybavený batériou, na ktorú sa vzťahuje smernica Európskej únie 2006/66/ES. Batéria nesmie byť likvidovaná spolu s komunálnym odpadom. Preštudujte si miestne pravidlá týkajúce sa zberu triedeného odpadu batérií, pretože správnu recykláciu pomôžete predchádzať potenciálnym negatívnym dopadom na životné prostredie a ľudské zdravie.

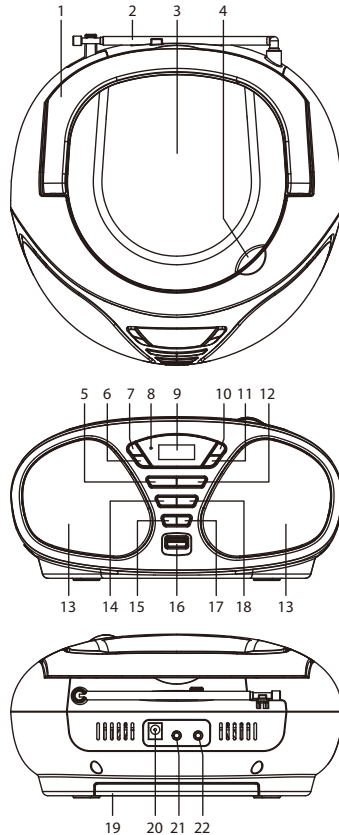
### Informácie o ochrane životného prostredia

Balíček obsahuje len nevyhnutné prvky s cieľom zabezpečiť, aby materiály súčasti obalu boli ľahko oddeliteľné: lepenka (krabica), penový polystyrén (zabezpečenie vnútri) a polyetylén (vrecká, ochranná fólia). Zariadenie bolo vyrobené z materiálov, ktoré môžu byť recyklované a opäť použité po demontáži špecializovanou spoločnosťou. Dodržujte miestne predpisy týkajúce sa likvidácie obalových materiálov, vybitých batérií a zbytočného zariadení. Nahrávanie a prehrávanie materiálov môže vyžadovať súhlas. Pozri zákon o autorských právach a právach umelcov.

## PREHLIADKA PREHRÁVAČE

### FUNKCIE OVLÁDANIE

1. Sklopná rukoväť
2. Teleskopická anténa pre príjem FM
3. Dvierka CD priehradky
4. Otvorenie dvierok vrecká CD
5. Tlačidlo PROG / MEM / MODE
6. Tlačidlo prechod na predchádzajúcu skladbu / posun späť
7. Tlačidlo prechod na ďalšiu skladbu / posun vpred
8. Indikátor pohotovostného režimu
9. LCD displej
10. Tlačidlo Play / Pause / CH +
11. Tlačidlo Stop
12. Tlačidlo FOLDER/10 +
13. Reprodukory
14. Tlačidlo VOL -
15. Tlačidlo SOURCE
16. Port USB
17. Tlačidlo zapnutia / pohotovostný režim
18. Tlačidlo VOL +
19. Priehradka na batérie
20. DC napájací konektor
21. Jack pre slúchadlá
22. Konektor Aux-IN



## NAPÁJANIE

### Napájanie z batérie

1. Opatrne odstráňte kryt batérie.
2. Vložte 6 batérií "C" (UM-2 alebo ekvivalent) so správnou polaritou.
3. Zasuňte kryt batérie.

### POZNÁMKA:

- Odpojte napájací adaptér od konektora DC IN zariadení umožňujúcich jeho napájanie z batérie.
- Vybité batérie môžu poškodiť priehradku batériu a prehrávač. Vyberte batérie z priehradky, ak sú vybité alebo ak prístroj nebude používaný po dlhú dobu.

### Sieťové napájanie

Pripojte dodaný napájací adaptér do konektora DC IN a elektrickej zásuvky.

**POZNÁMKA:** Ak zariadenie pre viac ako hodinu nebude mať žiadny audio signál, automaticky sa prepne do pohotovostného režimu (neplatí pre režim FM Radio).

## FM RADIO

### Ladenie rádiových staníc VKV

1. Indikátor sa rozsvieti, ak je pripojený k sieti. Stlačte tlačidlo zapnutie / pohotovostný režim pre zapnutie zariadenia (indikátor pohotovostného režimu sa vypne).
2. Opakovaným stláčaním tlačidla SOURCE prepnete na FM rádio.
3. Ak chcete spustiť automatické vyhľadávanie staníc, stlačte a podržte tlačidlo prechod na predchádzajúcu skladbu / posun späť alebo prechod na ďalšiu skladbu / vpred po dobu niekoľkých sekúnd, a potom pustite.
4. Stlačte sa tlačidlo prechod na predchádzajúcu skladbu / posun späť alebo prechod na ďalšiu skladbu / vpred pre ručné naladenie rozhlasových staníc.
5. Nastavte pohodlnú hlasitosť stlačením tlačidla VOL + / -.
6. Stlačte tlačidlo zapnutie / pohotovostný režim pre vypnutie napájania.

### POZNÁMKA:

Teleskopická FM anténa je smerová. Počas rozhlasového vysielania v pásme FM úplne ju vytiahnite a otočte, aby ste získali čo najlepší príjem.

### Programovanie vašich obľúbených rozhlasových staníc

1. Naladte obľúbenú rozhlasovú stanicu a potom stlačte tlačidlo PROG / MEM / MODE tlačidlo pre uloženie aktuálnej stanice až na displeji LCD začne blikať číslo miesta v pamäti.
2. Vyberte číslo pamäťového miesta stlačením tlačidla stop alebo tlačidla play / pause / CH +.
3. Potvrďte svoju voľbu stlačením tlačidla PROG / MEM / MODE.
4. Pri počúvaní rádia stlačte tlačidlo stop/CH- alebo tlačidlo play / pause / CH + pre výber prednastavených staníc.

## PREVÁDZKA

### Vkladanie disku

1. Otvorte dvierka CD vrecká
2. Vložte disk do vrecka (potlačenou stranou nahor).
3. Zatvorte kryt CD vrecká.

### Prehrávanie disku (CD/MP3)

1. Stlačte tlačidlo zapnutie / pohotovostný režim pre zapnutie zariadenia (indikátor pohotovostný režim sa vypne).
2. Stlačte tlačidlo SOURCE pre zapnutie CD.
3. Postupujte podľa vyššie uvedených krokov pre načítanie disku.
4. Prehrávač načíta disk.
5. Po úspešnom načítaní disku, prehrávanie sa automaticky spustí od prvej skladby.
6. Stlačte tlačidlo play / pause / CH + pre pozastavenie prehrávania; stlačte znovu tlačidlo play / pause / CH + pre návrat k normálnemu prehrávaniu; stlačte tlačidlo stop/CH- pre zastavenie prehrávania.

### Podpora externého pamäťového zariadenia (USB)

1. Stlačte tlačidlo zapnutie / pohotovostný režim pre zapnutie zariadenia (indikátor pohotovostný režim sa vypne).
2. Pripojte zariadenie USB k portu USB.
3. Stlačením tlačidla SOURCE prepnete do režimu USB.
4. Po detekcii a načítaní obsahu pripojeného USB zariadenia sa prehrávanie automaticky spustí od prvej skladby.
5. Stlačte tlačidlo play / pause / CH + pre pozastavenie alebo obnovenie prehrávania.
6. Stlačte tlačidlo stop/CH- pre zastavenie prehrávania.

### Preskakovanie skladieb a vyhľadávanie konkrétneho miesta na prehrávanie (CD/MP3/USB)

1. Stlačte raz tlačidlo prechod na ďalšiu skladbu / vpred pre prechod na ďalšiu skladbu. Stlačte raz tlačidlo pre prechod na predchádzajúcu skladbu / posun späť pre prechod na začiatok piesní; stlačte toto tlačidlo dvakrát pre preskočenie na predchádzajúcu skladbu.

2. Stlačte a podržte tlačidlo prechod na predchádzajúcu skladbu / posun späť alebo prechod na ďalšiu skladbu / vpred pre rýchly prechod na konkrétne miesto v piesni.
3. Počas prehrávania raz stlačte tlačidlo FOLDER/10 + pre prechod o 10 skladieb vpred, dvakrát pre prechod o 20 skladieb. Pomocou tohto tlačidla môžete prejsť na poslednú skladbu na disku.

#### **Prechod na predchádzajúcu / nasledujúcu zložku (MP3/USB)**

1. Počas prehrávania stlačte a podržte tlačidlo FOLDER/10 + až číslo priečinka blikne na displeji.
2. Stlačte tlačidlo prechod na predchádzajúcu skladbu / posun späť alebo prechod na ďalšiu skladbu / vpred pre výber požadovanej zložky.
3. Po vysvetlení čísla zložky na displeji stlačte tlačidlo FOLDER/10 + pre potvrdenie.

#### **Opakované prehrávanie (CD/MP3/USB)**

Počas prehrávania stlačte tlačidlo PROG / MEM / MODE pre opakované prehrávanie jednej skladby; stlačte dvakrát pre opakovanie všetkých skladieb; stlačte tlačidlo trikrát pre prehrávanie začiatkov skladieb; stlačte tlačidlo štyrikrát pre prepnutie do režimu náhodného prehrávania; stlačte päťkrát pre vypnutie funkcie.

#### **Programované prehrávanie (CD/MP3/USB)**

1. V režime zastavenia stlačte raz tlačidlo PROG / MEM / MODE, na displeji sa objaví ikona programu, symbol P01, potom bude na displeji naraz blikať číslo a ikona programu.
2. Vyberte prvú skladbu, ktorú chcete naprogramovať stlačením tlačidla prechod na predchádzajúcu skladbu / posun späť alebo prechod na ďalšiu skladbu / vpred; potom stlačte tlačidlo PROG / MEM / MODE pre uloženie a prechod na ďalší krok programovania (ak v pamäti disku MP3 alebo USB je niekoľko zložiek, musíte si najprv naprogramovať zložky, a potom skladby. Spôsob programovania zložiek je rovnaký ako programovaní skladieb).
3. Opakujte vyššie uvedené kroky pre naprogramovanie ďalších skladieb. V pamäti môžete naprogramovať až 20 skladieb v prípade CD a až 99 stôp v prípade MP3/pamäti USB. Je-li pamäť plná, zobrazí sa informácia "PLNÁ".
4. Stlačte tlačidlo play / pause / CH + pre spustenie prehrávania naprogramovaného poradi. Prehrávanie sa zastaví po prehraní všetkých naprogramovaných skladieb.
5. Stlačením tlačidla stop/CH- zastavíte naprogramované prehrávanie. Po zastavení naprogramovaného prehrávania stlačte tlačidlo play / pause / CH + pre spustenie naprogramované prehrávanie v predchádzajúcom poradí; stlačte tlačidlo stop CH-pre zastavenie programu.

#### **AUX vstup**

1. Pripojte externé zariadenie audio káblom - napr MP3 prehrávač - k vstupu AUX IN.
2. Zapnite napájanie zariadenia pomocou nasledujúcich krokov.
3. Stlačením tlačidla SOURCE aktivujete režim AUX.
4. Ovládajte prehrávanie hudby pomocou ovládacích prvkov externého zariadenia.

#### **Konektor pre pripojenie slúchadiel**

V zadnej časti zariadenia je jack pre pripojenie slúchadiel, ktoré umožňujú počúvanie hudby, bez toho aby ste rušili ostatných v okolí. Pripojte náhlavnú súpravu / slúchadlá (NIE SÚ súčasťou sady) a nastavte požadovanú úroveň hlasitosti.

POZNÁMKA: Pripojením externých slúchadiel sa odpoja reproduktory.

Upozornenie: Dlhotrávajúci počúvanie hlasnej hudby cez slúchadlá môže spôsobiť poškodenie sluchu.

#### **ŠPECIFIKÁCIA**

**Výstupný výkon:** 1,2 W x 2, THD 10%

**FM rádio s PLL:** 87,5 - 108 MHz

**USB:** USB verzia 2.0

**Spotreba energie v pohotovostnom režime:** <0,5 W

**Napájanie:** 9 V, 1 A (DC)

**Výkon batérií:** 6 x UM2 batérie (nie sú súčasťou sady).

## Informácie o nakladaní s elektronickým zariadením



Označenie na zariadenie a v priloženej dokumentácii znamenajú, že zariadenie nesmie byť likvidované spoločne s netriedeným komunálnym odpadom. Vyhadzovanie elektroodpadov do popolnice je riziko pre životné prostredie. Triedenie, spracovanie, využitie, recyklácia a likvidácia elektroodpadov pomáha chrániť životné prostredie pred znečistením a kontamináciou, pomáha znížiť využívanie prírodných zdrojov a znižuje náklady na výrobu nových zariadení.

Za účelom zistenia podrobnosti o najbližšom zbernom mieste kontaktujte predajcu alebo spoločnosť Blaupunkt Competence Centre, 2N-Everpol Sp. s oo, ul. Puławska 403A, 02-801 Varšava, tel +48 22 331 9959, e-mail: [info@blaupunkt-audio.pl](mailto:info@blaupunkt-audio.pl)

V prípade otázok alebo problémov, obráťte sa na naše služby.

Všetky práva vyhradené. Všetky obchodné značky sú registrovanými ochrannými známkami ich príslušných vlastníkov. Údaje a špecifikácie sa môžu zmeniť bez predchádzajúceho upozornenia.

## FONTOS BIZTONSÁGI UTASÍTÁSOK



The marking plate is located at the bottom of the apparatus.

### Fontos biztonsági utasítások

#### Figyelem:

Az áramütés kockázatának csökkentése érdekében, ne távolítsa el a fedelet vagy hátra alkatrészeket. A készülékben nincs felhasználó által javítható alkatrészek. Forduljon képzett szakemberhez.

#### A szimbólumok magyarázata:



Villám szimbólum elhelyezett egyenlő oldalú háromszögben figyelmezteti a felhasználót a szigetetlen "veszélyes feszültségre" a készülékben, amely elérheti a fenyegető áramütés méretét.



Felkiáltójel szimbólum elhelyezett egyenlő oldalú háromszögben figyelmezteti a felhasználót, hogy most az üzemeltetési és karbantartásról információk megjennek a dokumentációban, a készülékhez hozzáadott.

Kérjük, figyelmesen olvassa el az alábbi biztonsági utasításokat, és ezeket a későbbiekben felmerülő kérdések esetére is tartsa meg. Vegye figyelembe a használati utasításban és a készülék hátoldalán található figyelmeztetéseket és utasításokat.

#### Fontos információk

- Tartsa meg a használati útmutatók későbbi kérdések esetében
- Kerülje a készülék vízzel vagy nedvességgel történő érintkezését
- Ne telepítse a készüléket az alábbi helyeken:
- Kerülje a berendezés közvetlen napfényvel vagy szokatlanul sok porral történő érintkezését.
- Ne helyezzen semmilyen más melegítő készülékek a berendezés mellett.
- A készülék helye ne legyen folyamatosan rezgő helyeken.
- A készülék helye ne legyen magas páratartalmú helyiségben.
- Ne helyezzen nyílt láng vagy gyertyák mellett.
- Berendezések csak kézikönyv szerint használható.
- A berendezés bekapcsolása előtt, győződjön meg róla, hogy az áramellátás megfelelően csatlakozik.
- USB memóriát közvetlenül bekapcsolható, 25 cm-es kábéllel.

A hátoldalon és a készülék oldalán található légnyílások maradjanak szabadon, Soha ne próbálja meg a hibás készüléket megjavítani, minden esetben forduljon ügyfélszolgálatához.

Ne nyissa fel a készüléket -ezt csak szakember teheti meg.

## BIZTONSÁGI UTASÍTÁSOK

1. **Olvassa el az utasításokat** - figyelmesen olvassa el a biztonsági utasításokat.
2. **Tartsa meg az útmutatót** - későbbiekben felmerülő kérdések esetére tartsa meg a biztonsági utasításokat.
3. **Vegye figyelembe a figyelmeztetéseket** - Vegye figyelembe a használati figyelmeztetéseket és utasításokat.
4. **Vegye figyelembe az utasításokat** - Vegye figyelembe a használati figyelmeztetéseket és utasításokat.
5. **Üzembevétel** – Utasítások szerint ügyeljen.
6. **Áramforrás** - A készüléket csatlakoztassa csak a normál hálózati feszültséghez. Ha a felhasználó nem biztos abban, milyen típusú tápegysége van a házban, akkor forduljon a forgalmazóhoz vagy a helyi áramszolgáltatóhoz.
7. **Földelés vagy teljesítmény polarizációja** – a földelésre nincs szükség. Győződjön meg arról, hogy a csatlakozó teljesen be van helyezve a fali csatlakozóba vagy kiterjesztésébe. A berendezés egyes verziói egy polarizált csatlakozója van (az egyik pólus szélesebb). Ez a dugó lehet illeszteni a fali aljzatba csak egyféleképpen. Ez egy biztonsági funkció. Ha nem lehet bedugni a dugót a konnektorba, próbálja fordítani őt. Ha a dugó még mindig nem illeszkedik az aljzatba, forduljon villanyszerelőhöz, hogy cseréltesse ki. Ne távolítsa el a biztonságot a polarizált dugóról. Amikor használ hosszabbítót vagy a hálózati kábel ami nem mellékelte a készülékhez, megfelelő dugaszolhatóra és az adott országban biztonsági ellenőrzésre szüksége van.
8. **Tápkábel biztosítása** - Úgy helyezze el a hálózati kábelt, hogy abban senki ne botoljon meg. Fordítson különös figyelmet a dugaszolhatóra, a hálózati csatlakozóra és ezekre a helyekre ahol a kábelek vezetnek ki a készüléket.
9. **Túlterhelés** - ne terhelje túl a konnektorokat, hosszabbítót, és elektromos elosztók, mivel ez tüzet vagy áramütést okozhat.
10. **Szellőzés** - A készüléket szellőztetni kell. Ne tegye a készüléket puha felületre, pl. takaróra, szőnyegre vagy függönyök, falikárpit közelébe, mert a szellőző nyílások takarásba kerülhetnek, ezáltal a szükséges levegőcsere nem valósul meg.
11. **Hőség** - Ne helyezze a készüléket fűtőtestek vagy más hő sugárzó források közelébe. Kerülje a berendezés közvetlen napfényvel. Nyílt láng, például gyertyák nem kerüljenek a készülékre.
12. **Víz és nedvesség** - Tűzveszély és egy esetleges áramütés elkerülése végett, a készüléket ne tegye ki esőnek vagy nedvességnek. A berendezést ne használja fürdőkadák, úszómedencék vagy fröcskölő vízforrás közelében.
13. **Tárgyak és folyadékok a készülék** - Idegen tárgyak nem tegyen be a készülékbe mert feszültség alatt lévő pontokat és alkatrészeket érinthetnek, ami tüzet vagy áramütést okozhat. Ne helyezzen folyadékkal telt tárolóedényeket a készülékre.
14. **Tisztítás** – A tisztítás előtt mindig húzza ki a készüléket a fali csatlakozóból. Port száraz ruhával távolítsa el. Ha a tisztításhoz aeroszolt használ, ne irányítsa közvetlenül a készülékre, de a ruhára. Ügyeljen arra, hogy ne sértse meg a meghajtó egységeket.
15. **Kiegészítő berendezések** - Ne használjon olyan tartozékokat, amelyek nem a gyártó által jóváhagyott, mivel azok veszélyt jelentenek.
16. **Tartozékok** - Ne helyezze a készüléket instabil kocsira, állványra, konzolra vagy asztalra. A készüléket megsemmülheti és súlyos sérülést okozhat egy gyermek vagy egy felnőtt számára. Csak a gyártó által jóváhagyott vagy készülékkel eladó kocsit, állványt, konzolt vagy használhatja. A készüléket gyártói útmutató szerint felszerelhető.
17. **A berendezés áthelyezése** - a kocsin levő készüléket nagyon óvatosan mozdulni kell. Gyors fékezés, túlzott erőltetés és az egyenetlen felületek miatt felborulhat a készülék.
18. **A berendezés nem használata** - Ha a berendezést hosszabb ideig nem használja, áramtalanítsa azt.
19. **Szerviz** - Soha ne próbálja meg a hibás készüléket megjavítani, minden esetben forduljon ügyfélszolgálatához. Ne nyissa fel a készüléket -ezt csak szakember teheti meg. A karbantartási munkákat hagyja szakképzett személyzetre. Egyéb esetekben magát és másokat is veszélyeztet.
20. Ha a berendezést hosszabb ideig nem használja, áramtalanítsa azt. Ha a készülék csatlakoztatva van egy áramforráshoz, ez készenléti üzemmódban, és nem teljesen kizárt.
21. **Pótalkatrészek** - Alkatrészek cseréjekor ellenőrizze, hogy a szolgálati munkavállaló használt pótalkatrészeket a gyártó által meghatározott, vagy ugyanilyenek, mint az eredeti rész. Nem engedélyezett részek esetében tűz, áramütés vagy egyéb veszély veszélye van.

- 22. Főbiztosítékok** – Állandó készülék biztosításához megfelelő típusú és paraméterű biztosítékokat használni kell. Biztosítékok paraméterei a készüléken vannak.
- 23.** Ne növelje a hangerőt a kis hangerőjű dal vagy a bemenő audiojel hiányában mellett. Ellenkező esetben maradandó halláskárosodáshoz vezethet.
- 24.** A hálózattal történő kicsatlakoztatáshoz a villásdugót teljesen nyomja ki a konnektorból. A aljzat vagy kábel bemeneti teljesítmény a készülék mindig elérhetőnek kell lenni a használat során a termék.
- 25.** A készüléket a konnektor vagy hosszabbító közelében el kell helyezni, oly módon, hogy mindig rendelkezésre áll.
- 26.** A készülék maximális környezeti hőmérséklete 35 ° C.
- 27.** Irányelvek az elektrosztatikus kislésről – ha a készülék működése zavarban van az elektrosztatikus kislés miatt, ki kell kapcsolni és újrapcsolni vagy más helyre mozdulni.
- 28. Elem**
- 1). Ne helyezze a készüléket fűtőtestek vagy más hőt sugárzó források közelébe. Kerülje a berendezés közvetlen napfényfel.
  - 2). Az akkumulátor kidobása alatt, fordítson figyelmet a környezetvédelemre.
  - 3). Vigyázat elemek használatára vonatkozó: annak érdekében, hogy megakadályozza az elem szivárgását amely sérülést vagy kárt okozhat:
    - az elemek elhelyezése alatt, fordítson figyelmet a polarításra (+ és -)
    - ne használjon különböző elemeket egyszerre – régi és új normál és alkalikus stb.
    - Vegye ki az elemeket a készülékből, ha nem használja hosszabb időre.

### ERP2-ről megjegyzések (energiával kapcsolatos eszközök)

Ez a készülék ökprojekttel megfelel a 2. szakasz bizottsági rendelet (EC) No 1275/2008 irányelvet átültető 2009/125/EK energiafogyasztásról a fogyasztékkal élő és működő készenléti üzemmódban elektronikus eszközökről irodában és házbán.

60 perc a bevételi jel nélkül után, a készülék automatikusan készenléti üzemmódba átkapcsol.

Információk a normál működésbe helyezéséről az útmutatóban megtalálható.

### Fontos információk

Ez a készülék fel van szerelve egy energiatakarékos üzemmóddal: 60 perc a bevételi jel nélkül után, a készülék automatikusan készenléti üzemmódba átkapcsol (ERP2 szabvány). Meg kell jegyezni, hogy az alacsony hangerő az lehet ismerni "nincs hangként": ez befolyásolhatja a jel elismerésére és automatikusan készenléti üzemmódba kapcsolására. Ebben az esetben vissza kell állítani az audiojel adása vagy növelni a hangerőt a hangforrásban (MP3-lejátszó, stb). Ha a probléma továbbra is fennáll, lépjen kapcsolatba a helyi márkaszervizzel.

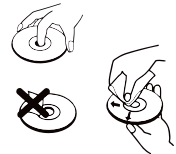
### FIGYELEM

A készüléket nem használhatják olyan személyek (beleértve a gyerekeket), akik testi, érzékszervi vagy szellemi fogyatékoságtól szenvednek és az elégtelen tudású és tapasztalatú is, ha a felelős személy nem felügyeli és nem kapták elég információ a készülékről. Felnőttek jelenléte szüksége van ha a gyerekek használják a készüléket. Ez biztosítja a biztonságos használatát.

1. Soha ne hagyja a gépet felügyelet nélkül! Kapcsolja ki készüléket, ha nem használ, bár egy rövid ideig.
2. Ne használja a készüléket egy külső órajel időzítővel, vagy egy külön távvezérlő rendszerrel.
3. Kockázatának elkerülése érdekében a a tápkábel megsérülése esetében, a cserét gyártónak kell végezni, meghatalmazott szolgáltató, vagy más személy aki rendelkezik megfelelő képesséssel.
4. Mielőtt használatba venné a készüléket, ellenőrizze, hogy a hálózati feszültség megegyezik a feszültséggel előforduló helyi hálózatban.
5. Ne tegye a készüléket puha felületre, pl. takaróra, szőnyegre vagy függönyök, falikárpit közelébe, mert a szellőző nyílások takarásba kerülhetnek, ezáltal a szükséges levegőcsere nem valósul meg. Győződjön meg arról, hogy a készüléktől legalább 20 cm szabad hely, és a két oldalán - legalább 5 cm-t.
6. Amennyiben a készülékbe idegen anyag, test vagy folyadék kerül, ne helyezzen folyadékkal telt tárolóedényeket, pl. virágvázát a készülékre.
7. Tűzveszély és egy esetleges áramütés elkerülése végett, a készüléket ne tegye ki esőnek vagy nedvességnek.



8. A berendezést ne használja fürdőkádad, úszómedencék vagy fröcskölő vízforrás közelében. Tartsa meg stabil helyeken.
9. Ne tegye ki erős mágneses mezőre.
10. Ne helyezze a készüléket közvetlenül az erősítőn vagy vevőn.
11. Ne helyezze a készüléket párás helyen, mert a nedvességnek hátrányos hatása van az elektromos alkatrészekre.
12. A készülék hozása a hideg helyről meleg vagy nedves helyre páralecsapódás a lencsén a lejátszó belsejében történhet. Ebben az esetben a készülék nem helyesen működhet. Hagyja a gépet bekapcsolva körülbelül egy óráig, hogy lehetővé tegye a nedvesség párolgást.
13. Ne tisztítsa a készüléket kémiai oldószerekkel, a készülék lakk megsemmisítése miatt. Az eszköz tiszta, száraz vagy enyhén nedves ruhával tisztítható.
14. A konnektorból történő kihúzás esetén ne a kábelt, hanem a villásdugót húzza ki.
15. A készülék működik a bekapcsolt tévé mellett, ez a zaj a képernyőn forrása lehet. A TV adás hullámaintól függő. Azt nem jelenti hibás se tévé se rádió működését. Ebben az esetben távolítsa a készüléket a tévétől.
16. A hálózati csatlakozó a hálózatból kihúzásához használható. Fontos, hogy mindig elérhető.
17. Annak érdekében, hogy a lézerfej tiszta legyen, nem szabad érinteni és mindig be kell zárni a lejátszószóbbáz.
18. Lejátszás közben a lemez nagy sebességgel forog. NEM SZABAD felemelni vagy mozdulni a készüléket a lejátszás alatt. Ez károsíthatja a lemezt, vagy az eszközt.
19. A készülék mozgatása előtt ki kell venni a lemezt és bezárni a lejátszószóbbát. Ezután kapcsolja ki a készüléket, és húzza ki a tápkábelt. A készüléket, a lemezzel bent, károsíthatja a lemezt és a készüléket.
20. A lemez lejátszása után helyezze el a csomagban. Ne tegye ki a lemezt közvetlen napfényre és hőforrásra. Ne hagyja lemezeket egy parkolt autó belsejében.
21. Ne érintse meg a címke nélküli lemez oldalát. A lemezt a szélénél fogja, hogy ne hagyja ujjlenyomatokat. Por, ujjlenyomatok, karcok üzemzavart okozhatnak.
22. Az lemez tiszta, száraz ruhával tisztítható. Úgy kezdődik tisztítás lineárisan a városközponttól.
23. Hogy megakadályozzák az esetleges halláskárosodást, ne hallgass hangosan zenét egy hosszú ideig.



## FIGYELEM: SUGÁRZÁS FORRÁSA

CLASS 1 LASER PRODUCT  
LUOKAN 1 LASERLAITE  
KLASS 1 LASERAPPARAT

Ez a címke azt jelenti, hogy a készülék belsejét a lézer alkatrészek vannak. A fedelet megnyitása a biztonsági blokkoló mulasztásával, sugárzó veszélyt okozhat. Ne nézd meg a lézersugárra működés közben.

## KÉSZÜLÉK BEKAPCSOLÁSA ELŐTT

### Megjegyzések: kompaktlemezről

Mivel a piszkos, sérült vagy deformálódott lemezeket károsíthatják a készüléket, fordítson figyelmet az alábbiakra:

- a. Kompaktlemez amelyeket használni lehet. Csak lent említett lemezek használhatóak.



- b. Csak digitális audióval lemezek.

## FIGYELEM



Ez a berendezés megfelel az elektromágneses sugárzással kapcsolatos európai ajánlásnak.



A termék kiváló minőségű anyagokból és alkatrészekből áll, újrahasznosíthatók és újra felhasználhatók.



Ha a készüléken az áthúzott szeméttároló van, azt jelento, hogy a termék 2002/96/WE számú európai uniós irányelv megkívánja. Kérjük, olvassa el a követelmények a helyi rendszerről a hulladék elektromossal és elektronikus berendezésekkel kapcsolatos. Helyi követelmények szerint csinálni kell. Ne dobja a terméket a normál háztartási szeméttel. Megfelelő a régi termék ártalmatlanítása segít megelőzni a lehetséges negatív következményeket a környezetre és az emberi egészségre.



A készülék fel van szerelve akkumulátorral ami megfelel a 2006/66/EK európai irányelv követelményeinek. Ne dobja az elemet a normál háztartási szeméttel. Kérjük, olvassa el a követelmények a helyi rendszerről a hulladék elektromossal és elektronikus berendezésekkel kapcsolatos. Helyi követelmények szerint csinálni kell. Ne dobja a terméket a normál háztartási szeméttel.

### Információk a környezetvédelemről

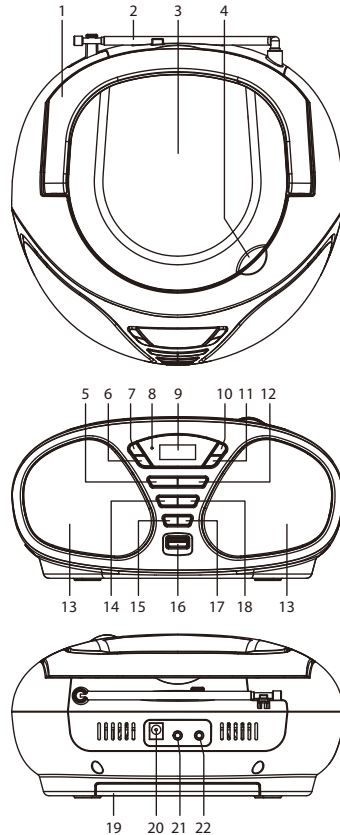
A csomag csak a szükséges elemeket tartalmaz. Minden erőfeszítést tettek, hogy a csomagolóanyag három összetevője könnyen elkülönített legyen: karton (doboz), polisztirol (belső biztonság) és polietilén (zacskó, védő lap). A készülék olyan anyagból készült, melyek újrahasznosíthatók és szétszerelhetőek. Kérjük, olvassa el a követelmények a helyi rendszerről a hulladék elektromossal és elektronikus berendezésekkel kapcsolatos.

Felvételhoz és lejátszáshoz engedélyre van szükség. Lásd a szerzői jogi törvényt, valamint az előadók / művészek jogairól.

## Hordozható rádió

### Készülék elemei

1. Összecsukható fogantyú
2. Teleszkópos antenna FM
3. CD nyílás ajtaja
4. CD nyílás nyitása
5. PROG/MEM/MODE gomb
6. CD-szám választása, keresés előrefelé
7. CD-szám választása, keresés visszafelé
8. Készenlét jelző
9. LCD kijelző
10. CD lejátszás indítása/megszakítása
11. Leállítás gomb/CH-
12. FOLDER/10+ gomb
13. Hangszórók
14. VOL+ gomb
15. SOURCE gomb
16. USB port
17. CD lejátszás indítása/megszakítása
18. VOL- gomb
19. Elemtartó
20. Csatlakozó aljzat DC
21. Fejhallgató csatlakozója
22. AUX IN csatlakozó



## ÁRAMELLÁTÁS

### Akkumulátor töltöttség

1. Óvatosan távolítsa el az akkumulátor fedelét.
2. Helyezze ó "C" elemet (UM-2 vagy azzal egyenértékű), a helyes polaritással.
3. Helyezze vissza az akkumulátor fedelét.

### Figyelem

- Húzza ki a hálózati töltőt DC IN csatlakozóból, hogy akkumulátorból energiát kapja.
- Lezáratlan elem károsíthatja az akkumulátort, és a lejátszót. Ezért, vegye ki az elemeket a tartóból, amikor lemerültek, vagy ha a készüléket nem használja hosszabb ideig.

### Hálózati áramellátás

Csatlakoztassa a mellékelt hálózati adaptert a DC IN csatlakozóhoz és a hálózati aljzathoz.

### Figyelem

Ha a készülék több mint egy óra nem kap semmilyen audio jelet, akkor automatikusan készenléti üzemmódba átkapcsol (ez nem vonatkozik a FM rádió módban).

## FM RÁDIÓ

### A rádió használata

1. Jelző bekapcsol a hálózati tápegység csatlakoztatása után. Nyomja meg a be / készenlét mód gombra, hogy kapcsolja be a készüléket (készenléti üzemmód jelző kikapcsol).
2. Nyomja meg a SOURCE gombra a FM-rádióhoz.
3. Az automatikus rádiófrekvenciakeresés indításához nyomja meg és tartsa lenyomva a szémválasztási gombot néhány másodpercig majd engedje el.
4. A manuális rádiófrekvenciakereséshez nyomja meg a számválasztási gombot.
5. Állítsa be a kellemes hangerőt VOL + / - gombokkal.
6. Nyomja meg a be / készenlét mód gombra a készülék kikapcsolásához.

### Figyelem

Teleszkópos FM antenna nem rögzített. A FM rádió hallgatáskor teljesen húzza ki és fordítsa az antennát a legjobb vételhez.

### Kedvenc rádióállomások programozása

1. Elsősorban állítsa be a kedvenc rádiófrekvenciát és nyomja meg PROG / MEM / MODE gombot, hogy elmentse az aktuális frekvenciát ami a LDC kijelzőn látható – a memória száma villog.
2. Válassza ki a memóriahely számát lejátszás indítása/megszakítása/CH+ gombbal.
3. Erősítse meg a választást PROG / MEM / MODE gombbal.
4. Rádió hallgatáskor nyomja meg a leállítás /CH- vagy indítása/megszakítása/CH+ gombra a elmentett rádióadót választásához.

## A KÉSZÜLÉK HASZNÁLATA

### A CD behelyezése

1. Nyissa ki a CD ajtót, megnyitó tartva.
2. Helyezze be a CD-t a lejátszószobában (címkével felfelé).
3. Zárja le a fedelet.

### CD lejátszása (CD/MP3)

1. Ha el szeretné indítani a lejátszást, nyomja meg egyszer a PLAY/PAUSE gombot.
2. Nyomja meg SOURCE gombot a CD mód változásához.
3. Helyezze be a CD-t a lejátszószobában, mint fent leírt.
4. A lejátszó elkezd olvasni a lemezt.
5. Miután sikeresen beolvassa a lemezt, a lejátszás automatikusan elindul az első számtól.
6. Nyomja meg a indítása/megszakítása/CH+ gombot a lejátszás szüneteltetéséhez; nyomja meg a gombra még egyszer a normál lejátszáshoz; nyomja meg a leállítás /CH- gombot a lejátszás leállításához.

### Külső tárolóeszköz használata (USB)

1. Nyomja meg a be / készenlét mód gombra a készülék bekapcsolásához (készenlét mód jelzője kikapcsol).
2. Csatlakoztassa az USB eszközt az USB-porthoz.
3. Nyomja meg SOURCE gombot a USB mód változásához.
4. Miután sikeresen beolvassa a tárolóeszközt, a lejátszás automatikusan elindul az első számtól
5. Nyomja meg a indítása/megszakítása/CH+ gombot a lejátszás szüneteltetéséhez; nyomja meg a gombra még egyszer a normál lejátszáshoz.
6. Nyomja meg a leállítás /CH- gombot a lejátszás leállításához.

### Számok átugrása, és egy adott helytől lejátszása (CD/MP3/USB)

1. Nyomja meg a CD-szám választása, keresés előre felé vagy visszafelé gombot a következő vagy előző szám választásához.
2. Nyomja meg hosszan a CD-szám választása, keresés előre felé vagy visszafelé gombot a következő vagy előző szám választásához.
3. A lejátszás alatt nyomja meg egyszer FOLDER/10+ gombot, hogy 10 szám előre felé lépjen vagy kétszer, hogy 20 szám előre felé lépjen. Ezzel a gombbal az utolsó számig a lemezen mehet.

### Következő/előző folderhez átugrása (MP3/USB)

1. A lejátszás alatt nyomja meg és tartsa a FOLDER/10+ gombot ameddig mappaszám villog a kijelzőn.
2. Nyomja meg a CD-szám választása, keresés előrefelé vagy visszafelé gombot a kívánt mappa kiválasztásához.
3. A szám megjelenése után nyomja meg a FOLDER/10+ gombot megerősítéséhez.

### Lejátszás ismétlésével (CD/MP3/USB)

A lejátszás alatt nyomja meg a PROG/MEM/MODE gombot egy szám ismétléséhez. Nyomja meg kétszer minden szám ismétléséhez. Nyomja meg háromszor a számok elejét lejátszásához. Nyomja meg négyszer véletlen sorrendű módba választásához. Nyomja meg ötszer a funkció befejezéséhez.

### A programozás funkció használata

1. Leállított módban nyomja meg egyszer a PROG/MEM/MODE gombot a kijelzőn villog a „01” felirat és a LCD kijelzőn villog a szám és program ikonja.
2. Válassza ki a keresés előrefelé /visszafelé gombok segítségével, az elsőnek beprogramozni kívánt számot és majd PROG/MEM/MODE gombot a szám megerősítéséhez. Mappák programozása ugyanúgy néz ki mint a számok programozása.
3. Ismételje meg a fenti lépéseket a több műsorszámok programozásához. A programozás-funkció használatával maximum 20, egy adott zene-CD-n található számokat tartalmazó lejátszási sorrendet is 99 MP3 vagy USB esetében alakíthat ki. Ha a memória megtelt, a "FULL" információ megjelenik.
4. Nyomja meg az indítása/megszakítása/CH+ gombot, hogy indítsa el a lejátszást a programozott sorrendben. A az összes beprogramozott számok lejátszása utána lemez leáll.
5. Nyomja meg az indítása/megszakítása/CH- gombot, hogy programozott lejátszás leállításához. A leállításához után nyomja meg az indítása/megszakítása/CH+ gombot a programozott lejátszás megkezdéséhez előző sorrendben; Nyomja meg az indítása/megszakítása/CH- gombbal törölhetsz kívánt a programot.

### AUX bejárat

1. Csatlakoztassa a külső audio kábellel – pl. MP3 lejátszót – AUX IN bejáratához.
2. Kapcsolja be a készüléket.
3. Nyomja meg a SOURCE gombot, AUX mód bekapcsolásához.
4. Szabályozza a zeneszámok lejátszását a külső eszközből.

### Fejhallgató csatlakoztatása

A berendezés hátoldalán a fejhallgató csatlakozójzata van, amely lehetővé teszi a zenét hallgatását anélkül, hogy zavarjon másokat a környezetben. Csatlakoztassa a headsetet / fülhallgatót (a készlet nem tartalmazza) és állítsa be a kívánt hangerőt.

FIGYELEM: Külső fejhallgató csatlakozása kikapcsolja a hangszórókat.

VIGYÁZAT: A túl magas hangerő, főleg fejhallgató esetén halláskárosodáshoz vezethet.

### TECHNIKAI ADATOK

**Kimenő teljesítmény:** 1,2 W x 2, teljes harmonikus torzítás 10%

**Rádió, Vételi frekvenciák:** 87,5–108 MHz

**USB:** USB 2.0 verzió

**Feszültség:** 9 V, 1 A

**Elemfeszültség:** UM2 x 6 (a készlet elemeket nem tartalmazza)

## **Elektromos és elektronikus hulladékkezelési utasítások**



Az áthúzott kerekes kuka jel, azt jelenti, hogy az elektromos és elektronikus berendezéseket nem szabad valamint a kommunális hulladékkal kidobni. Egy veszélyt jelent a környezetre a kontenerbe kidobása. A használt elektromos és elektronikus hulladék rendezése és a múltó feldolgozásának, hasznosításának, újrahasznosításának és ártalmatlanításának köszönhetően segít csökkenteni a természeti erőforrások kihasználását és új készülék termelési költségeket.

Részletek információk a legközelebbi kijelölt gyűjtőhelynél beszerezhető vagy közvetlenül az eladónál Blaupunkt Competence Centre, 2N-Everpol Sp. z o.o., ul.Puławska 403A, 02-801 Varsó, tel. +48 22 331 9959, email: info@blaupunkt-audio.pl.



*Enjoy it.*

Competence Centre Audio  
2N-Everpol Sp. z o.o.  
ul. Puławska 403A  
02-801 Warsaw, Poland  
phone: +48 22 331 99 59  
e-mail: [info@everpol.pl](mailto:info@everpol.pl)  
[www.blaupunkt.com](http://www.blaupunkt.com)

W przypadku pytań lub problemów  
prosimy o kontakt z naszym serwisem.

In case of questions or problems  
please contact our service.

Tel. 00 48 22 331 99 53

E-mail: [info@blaupunkt-audio.pl](mailto:info@blaupunkt-audio.pl)

Wszelkie prawa zastrzeżone. Wszystkie nazwy marek są zarejestrowanymi  
znakami towarowymi należącymi do odpowiednich podmiotów.  
Dane i parametry techniczne mogą ulec zmianie bez wcześniejszego uprzedzenia.

All rights reserved. All brand names are registered trademarks of their  
respective owners. Specifications are subject to change without prior notice.